

Since 1898
CONSEW®

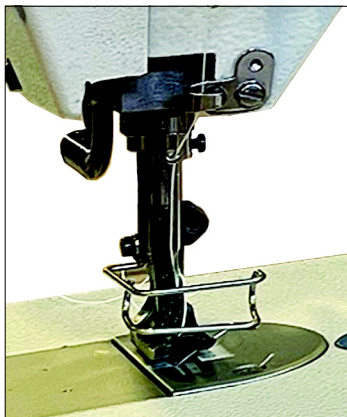
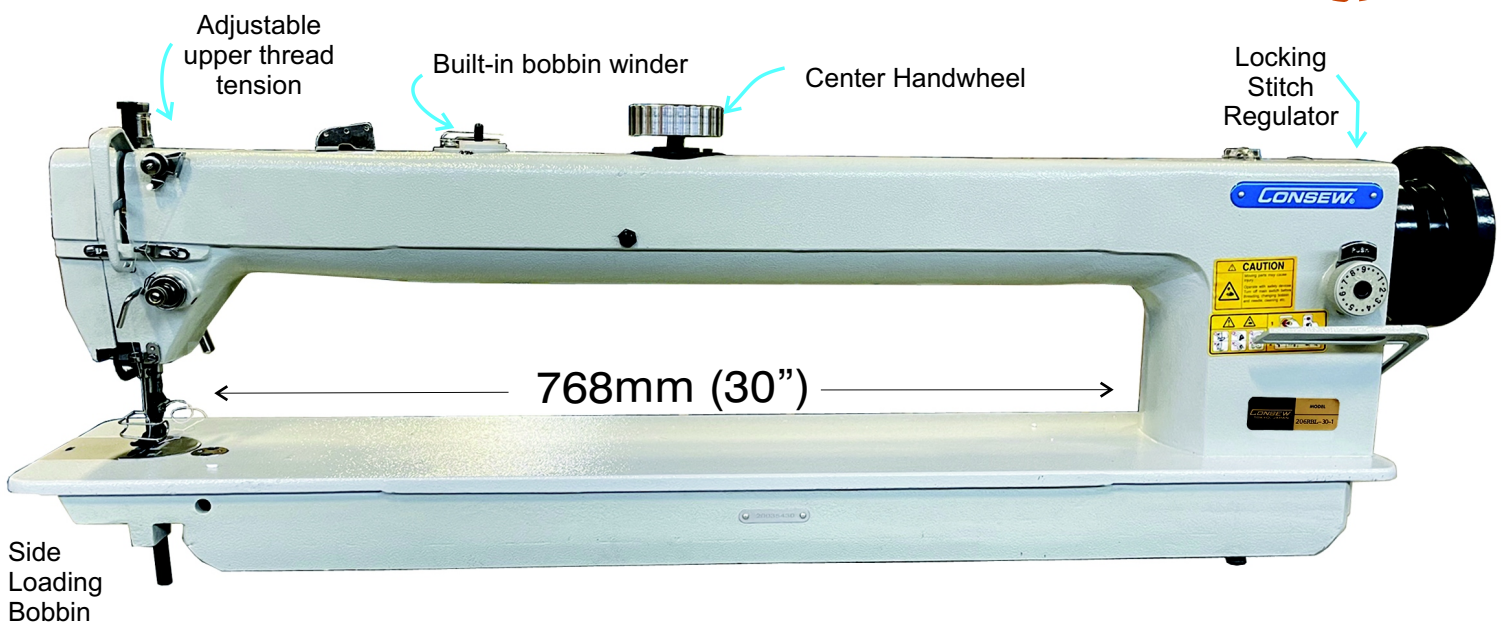
Model 206RBL-30-1

EXTRA-LONG-ARM HEAVY DUTY, SINGLE NEEDLE, LOCKSTITCH MACHINE

WITH

- Oil Pump System with Pump, Oil Pan and Adjustable Oil Flow
- Adjustable Oil Gauge
- Engageable Center Handwheel
- Reverse
- Large Horizontal Axis Hook and Side-Loaded Bobbin
- Adjustable Upper Thread Tension
- Locking Stitch Regulator
- Built-In Bobbin Winder
- Factory Built Solid Molded Casting

**LARGE
BOBBIN**



206RBL-30-1 Needle

**30" LONG-ARM
HEAVY DUTY, SINGLE NEEDLE
TRIPLE FEED:
DROP FEED, NEEDLE FEED
AND ALTERNATING
(WALKING) PRESSER FEET
LOCKSTITCH MACHINE**



APPLICATIONS

- For sewing light to heavy-weight materials such as leather, vinyl, upholstery, synthetics, canvas and various coated and laminated products.
- Designed for stitching such products as auto, boat and furniture upholstery, tarpaulins, covers, sails, tents, camping trailer covers, awnings, umbrellas, tops, bags, luggage, handbags, travelware accessories, sports and camping equipment, wearing apparel, outdoor clothing, canvas shoes, slippers, orthopedic appliances etc.

FEATURES

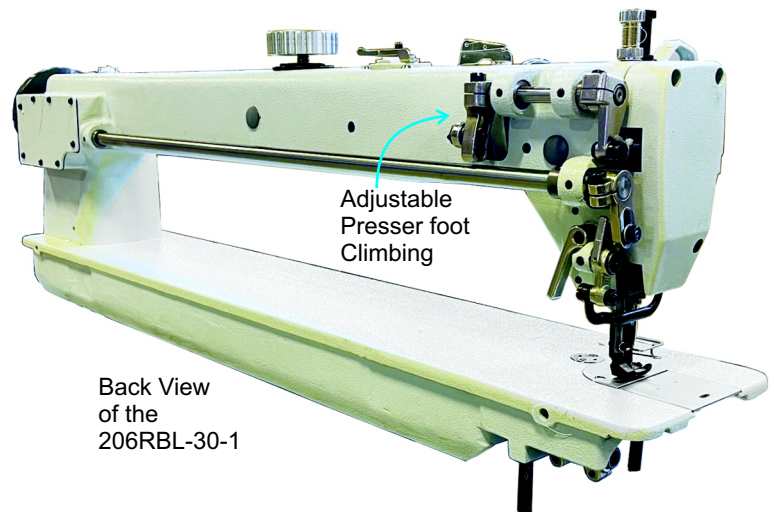
- Extra long stitch - 3.6 S.P.I. (37mm)
- Large Bobbin. Bobbin can be changed without removing object being sewn
- Thread release finger (for heavy thread)
- Reverse Stitching
- Oil Pump System with Pump, Oil Pan and Adjustable Oil Flow
- Adjustable Oil Gauge
- All gear driven hook mechanism. Large horizontal axis hook.
- Simple adjustment permits raising and lowering of the center foot which allows for sewing different thicknesses of material and thus assures positive stitching
- Standard attachments easily installed
- Compound feed, walking foot mechanism insures even feeding of material
- Adjustable presser foot climbing
- Locking stitch regulator prevents changes in stitch length from vibration
- Long arm provides extra large work area
- Factory built solid molded casting
- Built-in bobbin winder



Note: This machine does NOT have a Safety Clutch

SPECIFICATIONS

Speed, Max. (S.P.M.)	1800*	
Presser Foot Lift	By Hand	5/16" (8 mm)
	By Knee	5/8" (16 mm)
Needle Bar Stroke	1-29/64" (37 mm)	
Stitch Length, Max.	3.6 s.p.i. (7 mm)	
Needle	135 x 17	
Hook	Large Lubricating Hook	
Work Space	30" x 4-3/4" (768 x 120 mm)	
Stitch Type	301	
Pre-wound Bobbin	M	



Back View of the 206RBL-30-1

* Speed depends on thread, material and operation.