

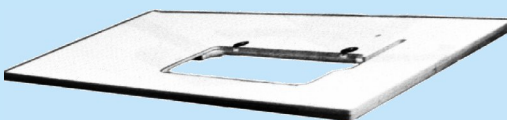
SEWING MACHINE TABLES

SINGLE and DOUBLE NEEDLE FLAT BEDS

Item #	Size	Core	Model
BROTHER			
T1092	48 x 20	Flake	B714 (B737)
T1094	48 x 20	Flake	B832 (B842)
CHANDLER	48 x 20	Flake	Call for information
CONSEW			
T2033	48 x 20	Flake	CN2033, CN2043
T206R	48 x 20	Flake	206RB
T230R	48 x 20	Flake	230R
T2230	48 x 20	Flake	CN2230R
T2NDL	48 x 20	Flake	DOUBLE NEEDLE
JUKI			
T1075	48 x 20	Flake	DDL555
T1152	48 x 20	Flake	LH-1152
PF AFF			
T1023	48 x 20	Flake	145
T1024	48 x 20	Flake	146
SINGER			
T1007	48 x 20	Flake	52 Class
T1009	48 x 20	Flake	52W
T1011	48 x 20	Flake	95
T1013	48 x 20	Flake	107W
T1015	48 x 20	Flake	108W
T1017	48 x 20	Flake	112W
T1019	48 x 20	Flake	241
T1030	42 x 20	Flake	241
T1034	42 x 20	Flake	95

SPECIAL PURPOSE

Item #	Size	Core	Model
BROTHER			
T430	28 x 24	Flake	430
CONSEW			
T206RBL	60 x 24	Plywood	206RBL
T733	60 x 34	Plywood	733R
T744R20	72 x 34	Plywood	744R20
T744R20P	72 x 34	Plywood	744R20 w/Puller
T744R30	72 x 34	Plywood	744R30
T744R30P	72 x 34	Plywood	744R30 w/Puller
TBUTTSEAM	24 x 20	Plywood	BUTT SEAMER
T1150	28 x 24	Flake	CN1150
JUKI			
T1850	28 x 24	Flake	LK-1850
T373	48 x 20	Flake	MB-373
T980	28 x 24	Flake	LK-980
REECE			
T1036	42 x 24	Flake	Blank
T1090	48 x 24	Flake	Blank
SINGER			
T1042	48 x 20	Plywood	300W
T1044	48 x 20	Plywood	300W w/Puller
T269	28 x 24	Flake	269



Note: Table tops will be in various neutral colors depending on the model

FULLY SUBMERGED TABLES

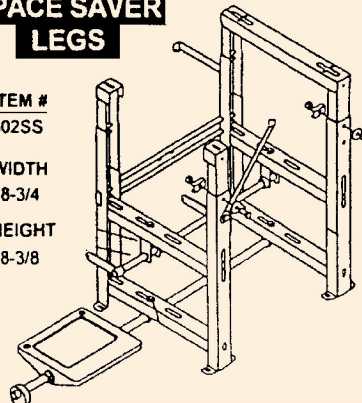
Item #	Size	Core	Model
BROTHER			
T1093	48 x 20	Plywood	B561
T1096	48 x 20	Plywood	B511
CONSEW			
T390	48 x 20	Plywood	390E
JUKI			
T1059	48 x 20	Plywood	MO-800
T1066	48 x 20	Plywood	MO-2500
KANSAI SPECIAL			
T1400	48 x 20	Plywood	1400
MERROW			
T1050	48 x 20	Plywood	"M"
RIMOLDI			
T1052	48 x 20	Plywood	227
T1060	48 x 20	Plywood	329, 529
T1063	48 x 20	Plywood	264
T627	48 x 20	Plywood	627
T629	48 x 20	Plywood	629
TB27	48 x 20	Plywood	B27
SINGER			
T1040	48 x 20	Plywood	246
T1070	48 x 20	Plywood	460
UNION SPECIAL			
T1046	48 x 20	Plywood	39500
T1048	48 x 20	Plywood	51400
T1095	48 x 20	Plywood	52800
WILCOX & GIBBS			
T1053	48 x 20	Plywood	515-IV
T1054	48 x 20	Plywood	515
T1082	48 x 20	Plywood	515-E
YAMATO			
T1055	48 x 20	Plywood	DCZ361
TZ631	48 x 20	Plywood	Z361
T8000	48 x 20	Plywood	8003

BLANKS and SLOTTED BELT HOLES

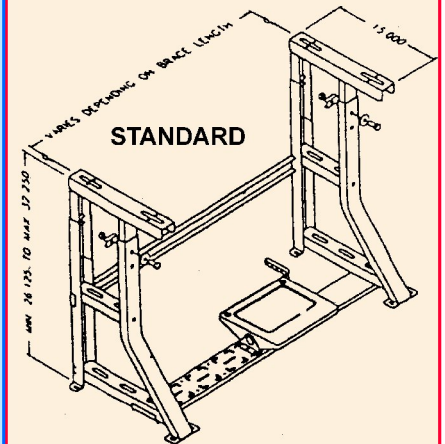
Item #	Size	Core	Model
T1000	48 x 20	Flake	Blank
T1000SS	27 x 20	Flake	Space Saver
T1002	48 x 20	Flake	Merrow / Blindstitch
T1029	42 x 20	Flake	Merrow / Blindstitch
T1032	42 x 20	Flake	Blank
T2824	28 x 24	Flake	Blank
T3020	30 x 20	Flake	Blank
T3620	36 x 20	Flake	Blank

SPACE SAVER LEGS

ITEM #
302SS
WIDTH
18-3/4
HEIGHT
28-3/8

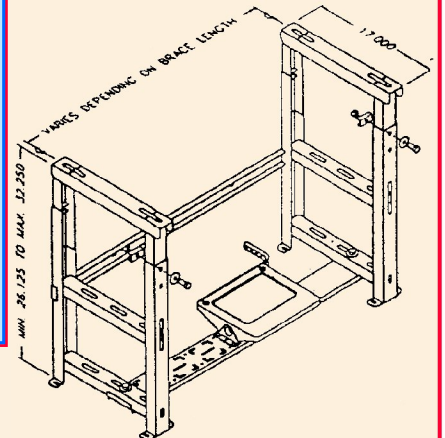


SEWING MACHINE LEGS



"K" STYLE

STANDARD	WIDTH	HEIGHT ADJ.
302	15	26-1/8 to 32-1/4
302HB	17	35-3/4 to 42
X-WIDE	WIDTH	HEIGHT ADJ.
302XW	23	26-1/8 to 32-1/4
302XWHB	23	34 to 41-3/4



"H" STYLE

H-LEG	WIDTH	HEIGHT ADJ.
301H	17	26-1/8 to 32-1/4
301HB	17	35-3/4 to 42
301HXW	24	26-1/8 to 32-1/4
301HXXW	26	26-1/8 to 32-1/4

Note: Legs are usually in Gray