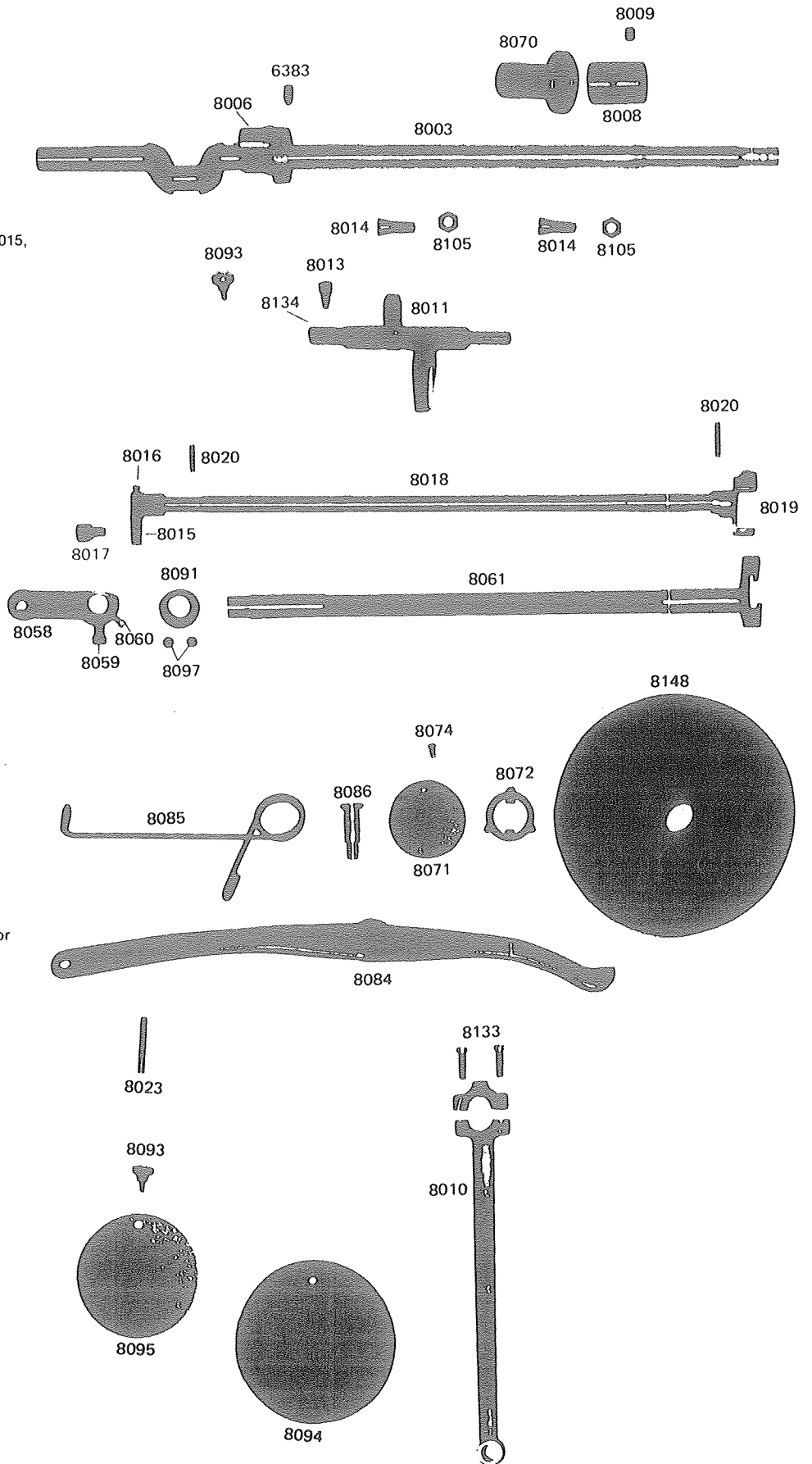
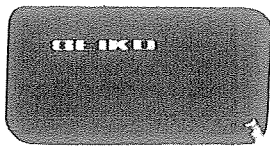


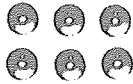
Part No.	Description
8003	Arm shaft
8004	Set screw (large) for 8005
8005	Thread take up cam
8006	Feed cam
8007	Feed cam screw & set screw for 8005
8008	Rear bush
8009	Rear bush screw & set screw for 8091
8010	Crank connecting rod
8011	Oscillating rock shaft
8013	Screw for 8134
8014	Hinge screw for 8010, 8053 & 8054
8015	ing shaft crank
8016	Needle plate set screw & set screw for 8015, 8075 & 8048
8017	Oscillating shaft crank roller
8018	Oscillating shaft
8019	Shuttle driver
8020	Pin (3mm) for 8019 * 8015
8021	Shuttle race
8022	Set screw for 8021
8023	Motion stop pin (3.5mm)
8024	Needle bar connecting link taper screw
8025	Needle bar crank
8026	Needle bar connecting stud
8027	Needle bar
8028	Shuttle hook complete
8029	Needle clamp complete
8030	Needle bar thread guide
8031	Set screw for 8030 & 8080
8033	Thread take up lever
8034	Thread take up lever hinge screw
8036	Presser regulating thumb screw
8037	Presser bar spring
8038	Presser foot
8039	Presser bar
8040	Set screw for 8039 & 8082
8041	Presser bar guide bracket
8042	Set screw for 8041
8043	Presser bar guide bracket liner
8044	Set screw for 8043
8045	Presser bar lifter
8046	Set screw for 8045
8047	Washer for 8045
8048	Thread releasing ring
8049	Needle bar bush
8050	Guiding screw for 8051
8051	Thread releasing
8052	Set screw for 8051
8053	Feed forked connection
8054	Feed regulator connecting rod
8055	Feed regulator
8056	Set screw for 8055
8057	Feed regulator thumb screw
8058	Feed driven shaft crank
8059	Set screw (large) for 8058
8060	Set screw (small) for 8058 & set screw for 8041 & 8076
8061	Feed driven rock shaft
8062	Feed base
8063	Feed dog
8064	Set screw for 8063
8065	Needle plate
8066	Shuttle race cover
8067	Set screw (large) for 8066
8068	Shuttle race cover spring
8069	Set screw for 8068
8070	Clamp stop motion base
8071	Clamp stop motion base screw
8072	Clamp stop motion clamp washer
8074	Clamp stop motion clamp stop screw
8075	Presser bracket sliding plate
8076	Tension releasing pin
8077	Tension disc
8078	Tension spring
8079	Tension stud nut
8080	Tension disc wheel receptacle
8081	Thread take up spring
8082	Needle bar thread guard (large)
8083	Needle bar thread guard (small)
8084	Knee lifter lifting lever
8085	Knee lifter lifting lever sprig
8086	Hinge screw for 8084
8087	Side cover
8088	Feed regulator washer
8089	Set screw for 8087
8090	Set screw (small) for 8066



8132



8096



8108



8123

8038



8102



8122



8118

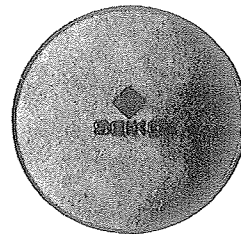
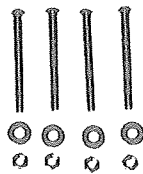


8120



8121

8126

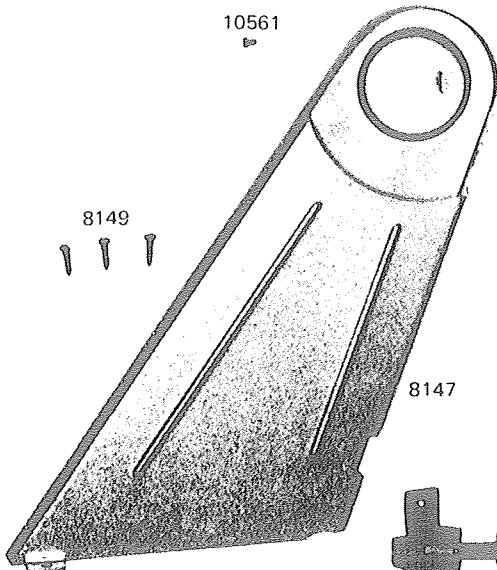


8128



8124

10561

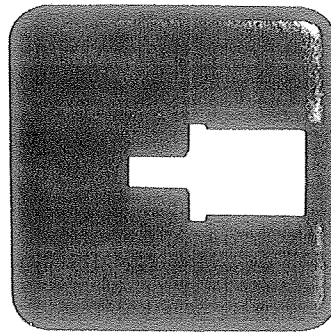


8147

8149



8136



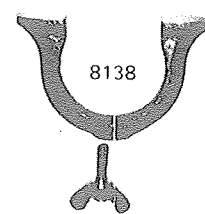
6034

8137



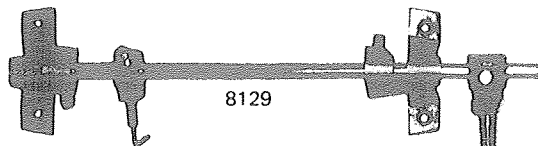
6035

6031



8138

8139

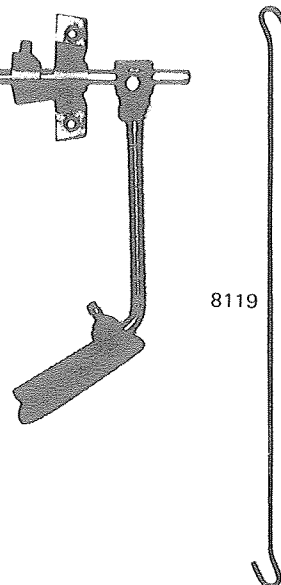


8129



8130

8119



8127

