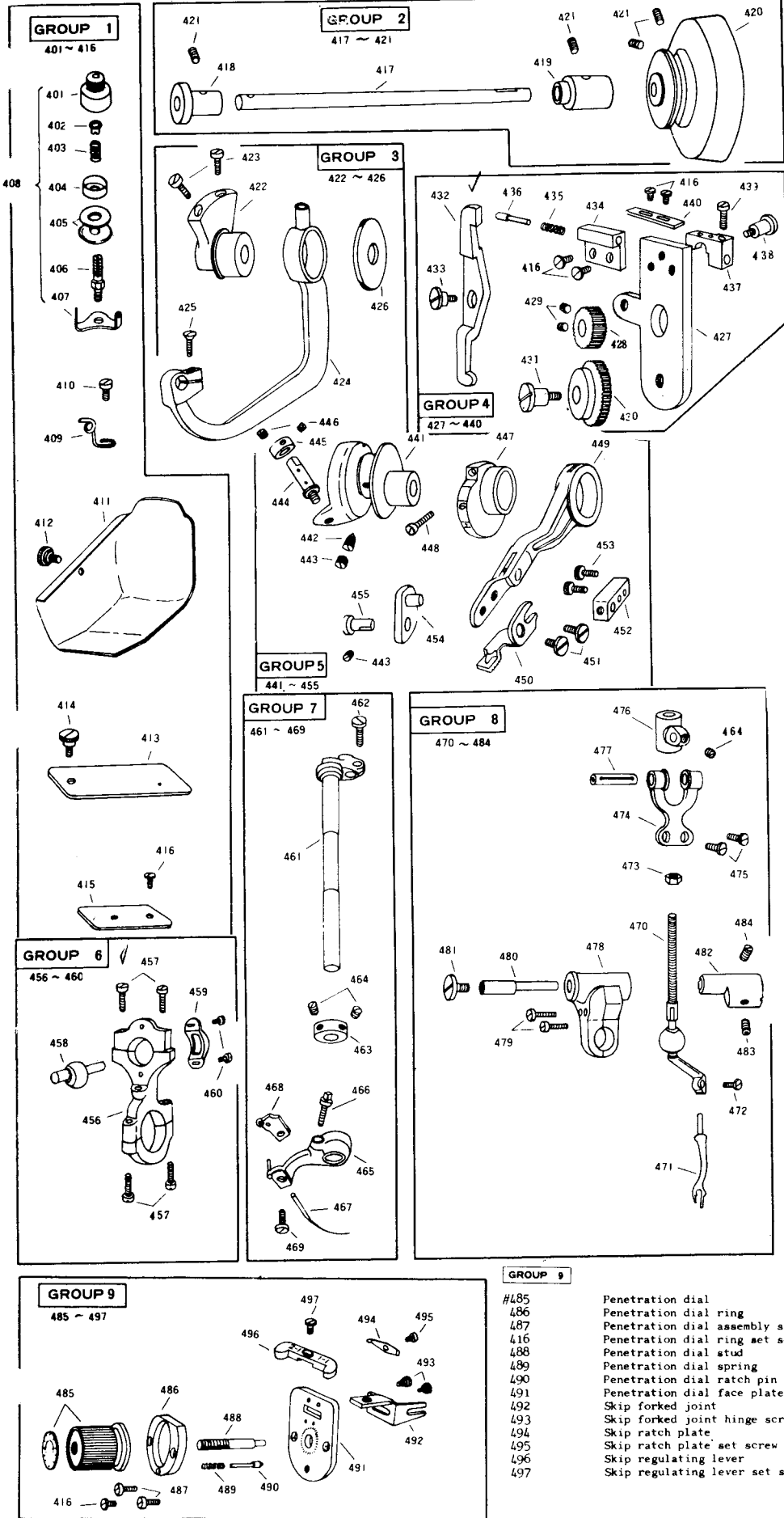


MINI SKIPPER PARTS LIST



GROUP 1

- #401 Tension adjusting thumb nut
- 402 Tension adjusting ratchet
- 403 Tension spring
- 404 Tension spring holder
- 405 Tension disc
- 406 Tension stud
- 407 Tension guide
- 408 Tension complete
- 409 Tension thread guide
- 410 Tension thread guide set screw
- 411 Arm side cover
- 412 Arm side cover set screw
- 413 Arm top cover
- 414 Arm top cover set screw
- 415 Window cover
- 416 Window cover set screw

GROUP 2

- #417 Arm shaft
- 418 Arm shaft front bushing
- 421 Arm shaft front bushing set screw
- 419 Arm shaft rear bushing
- 421 Arm shaft rear bushing set screw
- 420 Hand wheel (pulley)
- 421 Hand wheel set screw

GROUP 3

- #422 Rib connecting eccentric
- 423 Rib connecting eccentric set screw
- 424 Rib connecting lever
- 425 Rib connecting lever screw
- 426 Rib connecting lever washer

GROUP 4

- #427 Gear base
- 428 Skip stitch driving gear
- 429 Skip stitch driving gear screw
- 430 Skip eccentric gear
- 431 Skip eccentric gear hinge screw
- 432 Skip lever
- 433 Skip lever hinge screw
- 434 Skip block
- 416 Skip block set screw
- 435 Skip stud spring
- 436 Skip stud
- 437 Penetration regulator dial shoe
- 438 Regulator dial shoe hinge screw
- 439 Regulator dial shoe set screw
- 440 Regulator dial shoe plate
- 416 Regulator dial shoe plate screw

GROUP 5

- #441 Needle and feed eccentric
- 442 Needle and feed eccentric set screw
- 443 Needle and feed eccentric screw (flat)
- 444 Looper rod sleeve stud
- 445 Adjustable collar
- 446 Adjustable collar set screw
- 447 Stitch regulating collar
- 448 Stitch regulating collar clamping screw
- 449 Feed lever
- 450 Feed dog
- 451 Feed dog set screw
- 452 Feed dog base block
- 453 Feed dog base set screw
- 454 Rocker pin assembly
- 455 Rocker pin
- 443 Rocker pin set screw

GROUP 6

- #456 Needle shaft connecting link
- 457 Needle shaft connecting link clamp screw
- 458 Eccentric ball stud
- 459 Eccentric ball guard
- 460 Eccentric ball guard screw

GROUP 7

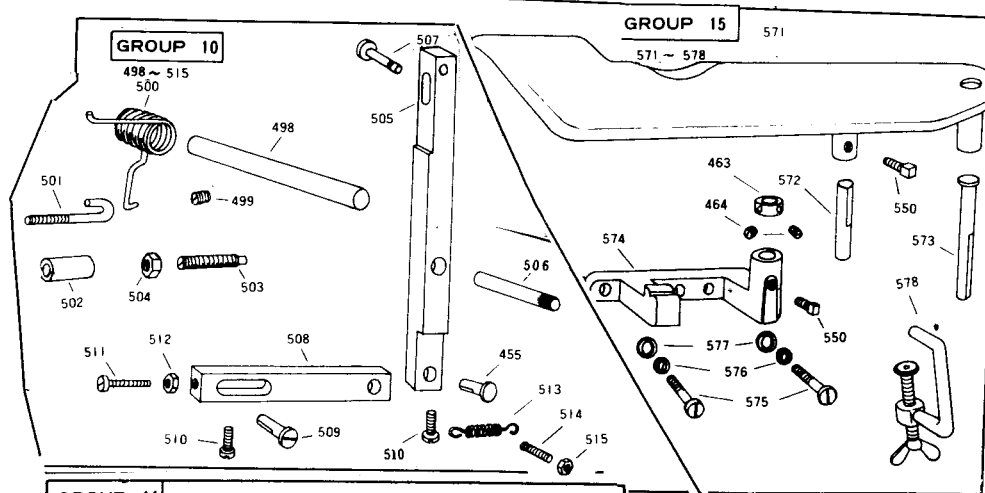
- #461 Needle shaft
- 462 Eccentric ball stud clamping screw
- 463 Needle shaft collar
- 464 Needle shaft collar set screw
- 465 Needle lever
- 466 Needle lever clamping screw
- 467 Needle (LWx5T)
- 468 Needle clamp
- 469 Needle clamp screw

GROUP 8

- #470 Looper rod
- 471 Looper
- 472 Looper clamping screw
- 473 Looper rod nut
- 474 Looper rod forked connection
- 475 Looper rod forked connection sleeve
- 476 Looper rod forked connection screw
- 477 Looper rod forked connection pin
- 478 Looper rod carrier
- 479 Looper rod carrier clamping screw
- 480 Looper rod carrier stud
- 481 Looper rod carrier stud cap screw
- 482 Looper rod carrier eccentric block
- 483 Looper rod carrier stud set screw
- 484 Looper rod carrier eccentric block screw

GROUP 9

- #485 Penetration dial
- 486 Penetration dial ring
- 487 Penetration dial assembly screw
- 416 Penetration dial ring set screw
- 488 Penetration dial stud
- 489 Penetration dial spring
- 490 Penetration dial ratch pin
- 491 Penetration dial face plate
- 492 Skip forked joint
- 493 Skip forked joint hinge screw
- 494 Skip ratch plate
- 495 Skip ratch plate set screw
- 496 Skip regulating lever
- 497 Skip regulating lever set screw



- GROUP 10**
- #498 Feed frame rocker shaft
 - 499 Feed frame shaft set screw
 - 500 Main spring
 - 501 Main spring hook
 - 502 Main spring adjusting nut
 - 503 Feed frame limit screw
 - 504 Feed frame limit screw lock nut
 - 505 Penetration adjusting block(vertical)
 - 506 Penetration adjusting block pin
 - 507 Skip forked joint pin
 - 508 Penetration adjusting block(horizontal)
 - 509 Penetration adjusting block pin (large)
 - 455 Penetration adjusting block pin (small)
 - 510 Penetration adjusting block pin set screw
 - 511 Penetration adjusting screw
 - 512 Penetration adjusting nut
 - 513 Penetration adjusting block spring
 - 514 Penetration adjusting block spring lock pin
 - 515 Penetration adjusting block spring lock pin nut

- GROUP 11**
- #516 Rib shaft
 - 517 Rib shaft bushing (left)
 - 518 Rib shaft bushing (right)
 - 519 Rib shaft crank
 - 520 Rib shaft crank clamp screw
 - 521 Rib shaft crank stud
 - 522 Rib shaft collar (left)
 - 523 Rib shaft collar (right)
 - 524 Rib shaft collar clamping screw

- GROUP 12**
- #525 Cylinder cover
 - 416 Cylinder cover screw
 - 526 Platten (left)
 - 527 Platten (right)
 - 528 Platten bracket (left)
 - 529 Platten bracket (right)
 - 530 Platten to bracket attaching screw
 - 531 Platten to bracket attach screw nut
 - 532 Platten bracket stud
 - 499 Platten bracket stud set screw
 - 533 Platten bracket collar
 - 534 Platten bracket spacer
 - 535 Platten bracket spring
 - 536 Platten bracket spring base block
 - 416 Platten bracket spring base block screw
 - 537 Platten adjusting pin
 - 499 Platten adjusting pin set screw

- GROUP 13**
- #538 Knee lifter rod shaft
 - 539 Lifting arm
 - 540 Lifting arm clamping screw
 - 541 Knee lifter rod return spring
 - 542 Knee lifter rod collar
 - 543 Knee lifter rod collar set screw
 - 544 Knee lifter stop bracket hook
 - 545 Knee lifter stop bracket hook set screw(upper)
 - 546 Knee lifter stop bracket hook set screw(lower)
 - 547 Knee lifter rod
 - 548 Knee lifter rod sleeve
 - 540 Knee lifter rod sleeve screw
 - 549 Knee pedal
 - 550 Knee pedal lock screw
 - 551 Knee pedal cover piece

- GROUP 14**
- #552 Complete presser foot assembly
 - 553 Presser foot clamp
 - 554 Presser foot clamp screw washer
 - 555 Presser foot bridge screw
 - 556 Eccentric pin
 - 410 Eccentric pin set screw
 - 557 Needle guide
 - 558 Needle guide attaching screw
 - 559 Presser foot shoe
 - 560 Presser foot shoe eccentric pin
 - 561 Pivot pin screw
 - 562 Presser foot shoe spring
 - 563 Shoe post
 - 564 Presser foot shoe pivot pin set screw
 - 565 Front guide holder
 - 566 Front guide holder set screw
 - 567 Front guide
 - 568 Cloth guide nut
 - 569 Chain-off pin
 - 570 Chain-off pin clamping screw

- GROUP 15**
- #571 Swing plate
 - 572 Stop pin assembly
 - 550 Stop pin lock screw
 - 573 Swing plate pivot pin
 - 463 Swing plate pivot pin collar
 - 464 Swing plate pivot pin collar set screw
 - 550 Swing plate pivot pin lock screw
 - 574 Swing plate support bracket
 - 575 Swing plate support bracket attaching screw
 - 576 Swing plate support bracket screw washer(lock)
 - 577 Swing plate support bracket screw washer(flat)
 - 578 Machine setting vice

- GROUP 16**
- #579 Oil pan
 - 580 Felt
 - 581 Oil pan set screw
- GROUP 17**
- #582 Cotton stand base
 - 583 Cotton seat
 - 584 Thread pin
 - 585 Thread pin nut
 - 586 Cotton stand thread guide
 - 587 Carrying handle
 - 588 Cotton holder
 - 410 Cotton stand base set screw

