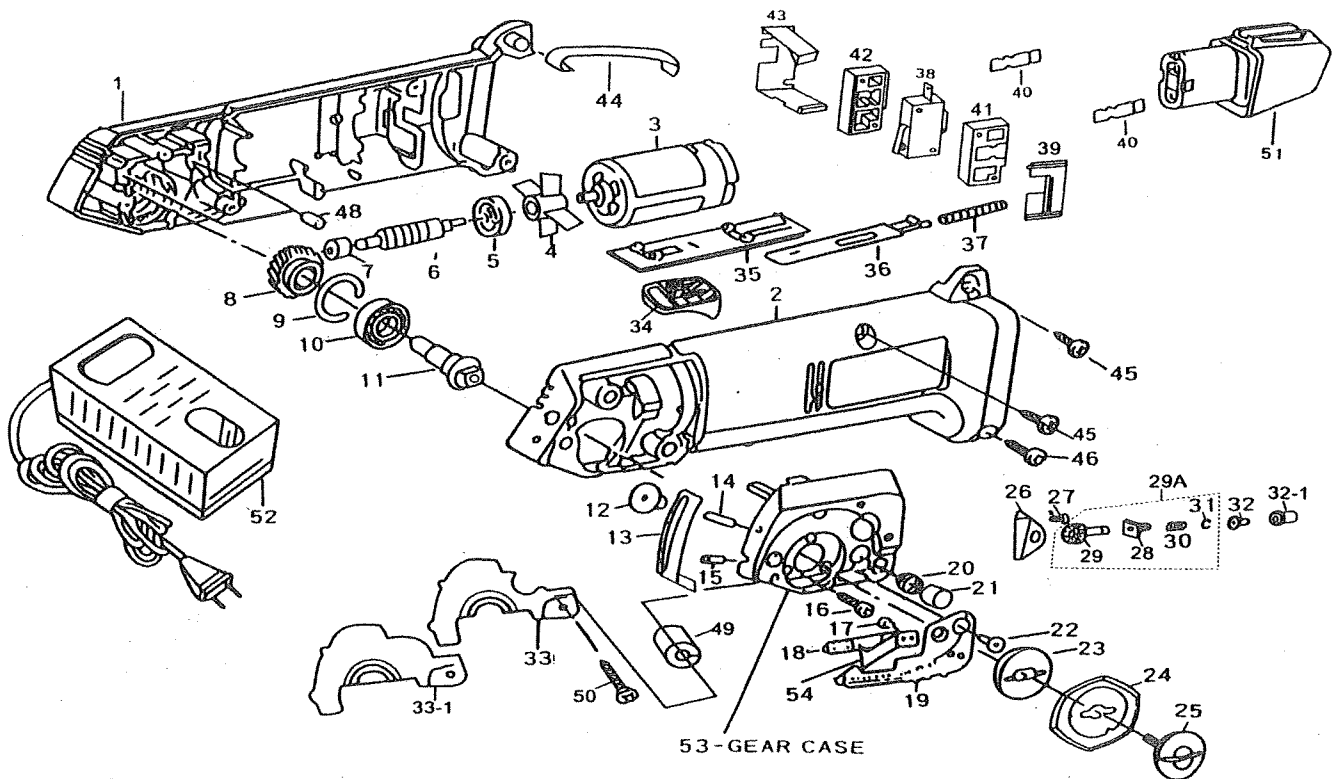


Cordless Electric shear



PART NO.	QTY.	DESCRIPTION	PART NO.	QTY.	DESCRIPTION
501P-01	1	RIGHT HOUSING	501P-29	1	STONE
501P-02	1	LEFT HOUSING	501P-29A	1	STONE ASSEMBLY
501P-03	1	MOTOR	501P-30	1	SPRING
501P-04	1	MOTOR FAN	501P-31	1	RING
501P-05	1	BALL BEARING	501P-32	1	PUSH KNOB FRO STONE
501P-06	1	WORM GEAR	501P-32-1	1	SLEEVE FOR 29A
501P-07	1	BUSHING	501P-33	1	KNIFE GUARD
501P-08	1	HELIX GEAR	501P-33-1	1	KNIFE GUARD
501P-09	1	RETAINING RING	501P-34	1	IN-OFF HANDLE
501P-10	1	BALL BEARING	501P-35	1	SWITCH HOUSING
501P-11	1	GEAR SHAFT	501P-36	1	SLIDE
501P-12	1	NUT	501P-37	1	SPRING
501P-13	1	FINGER GUARD	501P-38	1	MICRO SWITCH
501P-14	1	SCREW	501P-39	1	SWITCH HOLDER
501P-15	1	SCREW	501P-40	1	SWITCH SLIDE
501P-16	2	SCREW	501P-41	1	L. SWITCH CLIP
501P-17	2	SCREW	501P-42	1	R. SWITCH CLIP
501P-18	1	CUTTING BLADE w/ CARBIDE	501P-43	1	SWITCH HOLDER
501P-19	1	LEG	501P-44	1	BATTERY CLAMPING
501P-20	1	SPRING	501P-45	1	SCREW
501P-21	1	OIL FELT	501P-46	1	SCREW
501P-22	2	SCREW	501P-48	1	STOPPER
501P-23	1	HELIX GEAR SUPPORT	501P-49	1	KNIFE GUARD SOCKET
501P-24	1	10 SIDED KNIFE	501P-50	1	KNIFE LOCK SCREW
501P-25	1	KNIFE LOCK SCREW	501P-51	1	BATTERY 9.6v
501P-26	1	SHARPENER HOLDER	501P-52	1	BATTERY CHARGER
501P-27	1	SCREW	501P-53	1	GEAR CASE
501P-28	1	SQUARE SLEEVE FOR STON	501P-54	1	GUIDE PLATE