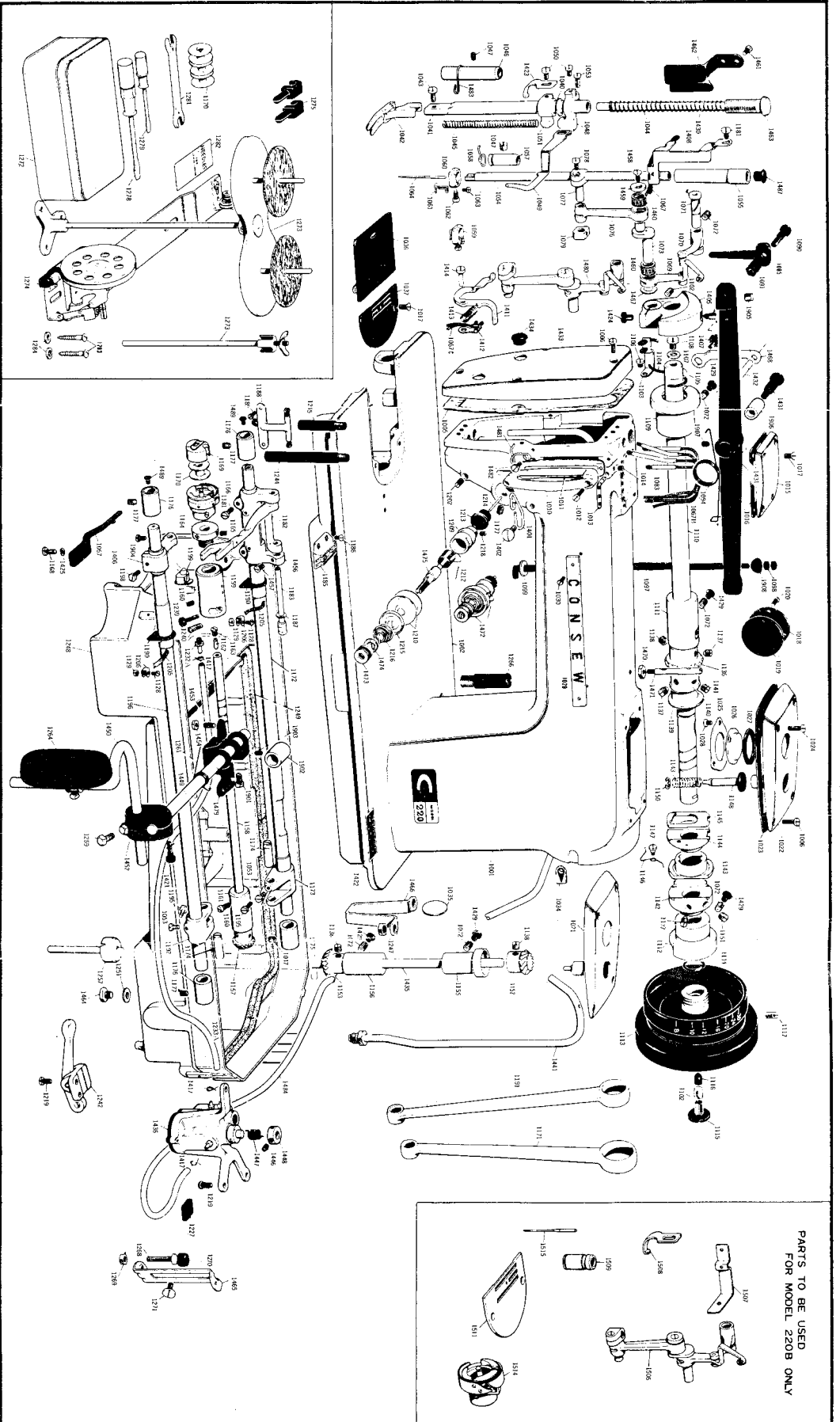
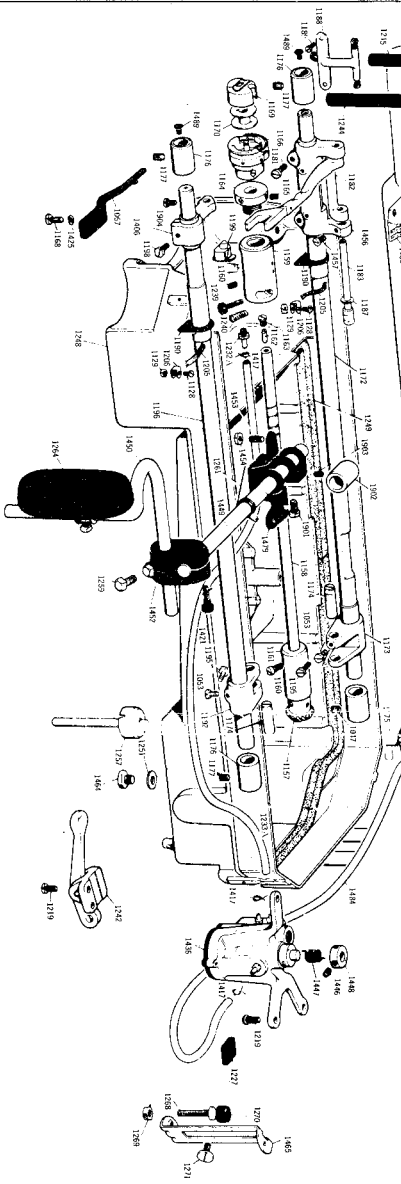
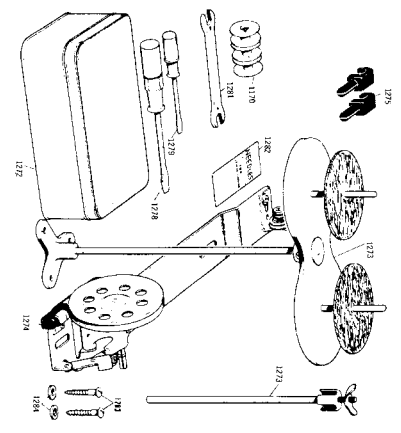
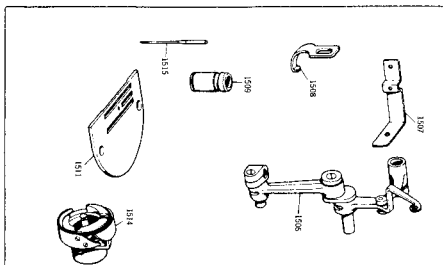


CONSEW MODEL 220, & 220B



PARTS TO BE USED
FOR MODEL 220B ONLY



CONSEW MODEL 210, 210A & 210B

PART NO	PART NAME	PART NO	PART NAME	PART NO	PART NAME	PART NO	PART NAME
1062	BED ONLY	1102	SET SCREW FOR 1480	1213	PACKING FOR 1472	1316	FEED REGULATOR DIAI. SHAFT
1065	GASKET FOR 1433	1103	RETAINER PLATE FOR 1104	1214	TENSION RELEASE PIN	1317	OIL SEAL FOR 1316
1066	SCREW FOR TAKE UP LEVER	1104	OIL WICK FOR 1480	1215	TENSION RELEASE WASHER	1318	FEED REGULATOR DIAI.
1010	GUARD FOR TAKE UP LEVER	1105	SPRING FOR 1104	1216	TENSION SPRING	1341	LOCK SCREW FOR 1340
1012	GASKET FOR 1010	1106	SPRING FOR 1103	1218	SET SCREW FOR 1475	1342	STOP PIN FOR 1340
1013	THREAD GUIDE WITH THREE HOLES	1107	TOP SHAFT FRONT PACKING	1219	SCREW FOR OIL PUMP	1343	SPRING FOR 1342
1014	SET SCREW FOR 1013	1108	TOP SHAFT FRONT BUSHING	1220	MANNET	1345	FEED REGULATOR FORK
1015	COVER PLATE FOR OIL WELL	1110	TOP SHAFT CENTER BUSHING	1221	WASHER FOR 1440	1346	BRUSHING FOR 1345
1016	GASKET FOR 1015	1111	TOP SHAFT REAR BUSHING	1222	OIL HOSE A	1348	OIL SEAL FOR 1347
1017	SCREW FOR 1015	1112	TOP SHAFT REAR BUSHING	1223	OIL HOSE B	1351	FEED REGULATOR DIAI. BUSHING
1018	BACK COVER PLATE	1114	PACKING FOR 1305	1233	OIL HOSE C	1352	OIL SEAL FOR 1351
1019	GASKET FOR 1018	1115	CAP SCREW FOR 1305	1233	OIL HOSE C	1353	CAP SCREW FOR 1314
1020	SCREW FOR 1018	1116	TOP SHAFT OIL STOPPER	1236	OIL REGULATOR BODY	1354	TOP COVER PLATE
1021	SCREW FOR 1022	1117	SET SCREW FOR 1305	1237	OIL REGULATOR VALVE	1355	CRANK ROD COMPLETE
1022	FRAME FOR 1026	1118	SET SCREW FOR 1206	1238	SHIM FOR 1236	1401	THREAD GUIDE, RIGHT
1025	OIL CALICE WINDOW	1119	TOP SHAFT GEAR	1241	BRACKET FOR 1242	1402	SET SCREW FOR 1401
1026	PACKING FOR 1025	1120	TOP SHAFT GEAR	1242	KNEE LIFTER RELEASE LEVER	1407	HINGE SCREW FOR 1401
1027	SCREW FOR 1025	1121	SET SCREW FOR CAN & GEAR	1243	HINGE SCREW FOR 1242	1408	OIL WICK RETAINER
1028	NAME PLATE	1122	SET SCREW FOR 1157	1244	BED LEG FRONT	1411	THREAD TENSION RELEASE
1030	SCREW FOW 1029	1123	VERTICAL SHAFT UPPER GEAR	1245	BED LEG REAR	1412	OIL WICK RETAINER
1035	PIG FOR BED HOLE	1124	VERTICAL SHAFT LOWER BUSHING	1247	NUT FOR 1466	1413	SPRING FOR 1411
1040	THRUST WASHER FOR 1041	1125	VERTICAL SHAFT LOWER BUSHING	1249	OIL PAN ONLY	1414	SHAFT FOR 1411
1041	PRESSER BAR ONLY	1126	HOOK SHAFT GEAR	1249	MARKER FOR 1466	1418	OIL HOSE SUPPORTER A
1043	PRESSER BAR COMPLETE	1127	HOOK SHAFT GEAR	1250	MARKER FOR 1466	1419	OIL HOSE SUPPORTER B
1044	PRESSER SPRING, OUTER	1128	HOOK SHAFT FRONT BUSHING	1251	FRAME FOR 1252	1420	OIL REGULATOR PLATE
1045	PRESSER SPRING, INNER	1129	SET SCREW FOR 1159 & 1161	1254	PACKING FOR 1252	1421	CLAMP SCREW FOR 1451 & 1452
1046	BUSHING FOR 1041	1160	HOOK SHAFT REAR BUSHING	1255	OIL CALICE COVER	1422	NEEDLE SIZE PLATE
1047	SET SCREW FOR 1046 & 1057	1161	HOOK SHAFT REAR BUSHING	1256	SCREW FOR 1253	1423	ADJUST PLATE FOR TENSION RELEASE
1048	PRESSER BAR GUIDE BRACKET	1162	SET SCREW FOR 1162	1257	KNEE LIFTER PLUNGER	1424	CLAMP SCREW FOR 1480
1049	THREAD REGULATOR	1163	OIL DEFLECTOR FOR 1159	1259	SET SCREW FOR KNEE LIFTER	1426	STUD FOR 1159
1050	SCREW FOR 1049 & 1423	1164	SET SCREW FOR 1164	1261	SPRING FOR 1481	1426	STUD FOR 1159
1051	SET SCREW FOR 1048	1166	ROTATING HOOK ASSEMBLY	1264	KNEE LIFTER PAD	1426	STUD FOR 1159
1054	NEEDLE BAR ONLY	1166	ROTATING HOOK ASSEMBLY	1264	OIL PAN HOLDING SCREW	1430	PRESSURE REGULATOR BAR
1055	NEEDLE BAR UPPER BUSHING	1166	ROBBIN CASE ASSEMBLY	1270	NUT FOR 1268	1431	KNEE LIFTER BAR
1057	NEEDLE BAR LOWER BUSHING	1170	ROBBIN CASE ASSEMBLY	1271	SCREW FOR 1465	1432	FACE COVER PLATE
1058	THREAD GUIDE FOR 1057	1172	FEED HOOK ARM	1272	SCREW FOR 1465	1433	VERTICAL SHAFT ONLY
1059	NEEDLE CLAMP COMPLETE	1173	FEED HOOK ARM	1272	ACCESSORY BOX	1434	PLUG FOR 1443
1060	THREAD GUIDE FOR 1060	1174	HINGED PIN FOR 1173	1274	SPPOOL WINDER ASSEMBLY	1435	OIL PUMP BODY
1061	NEEDLE BAR 1060	1175	REAR BUSHING FOR 1172	1275	BEARING COMPLETE	1437	OIL PUMP TAPLER
1064	NEEDLE BAR 1061	1175	REAR BUSHING FOR 1172	1276	CLOTH GUIDE THIMB SCREW	1439	OIL PUMP FILTER
1066	NEEDLE BAR 1061	1181	CLAMP SCREW FOR 1456	1278	SCREW DRIVER, LARGE	1440	FRAME FOR 1439
1067	NEEDLE BAR 1061	1181	CLAMP SCREW FOR 1456	1278	SCREW DRIVER, SMALL	1441	OIL FEED TUBE COMPLETE
1068	E. OIL WICK	1183	FEED BAR SHAFT	1279	WRENCH, LARGE	1442	OIL RETURN CAM SHAFT
1069	TAKE UP LEVER BODY	1186	FEED BAR SHAFT	1281	WRENCH, SMALL	1443	PIN FOR 1442
1070	TAKE UP LEVER LINK	1187	THRUST WASHER FOR 1183	1282	NEEDLES	1444	SPRING FOR 1443
1071	HINGED STUD FOR 1070	1188	OIL WICK HOLDER	1283	WOOD SCREW FOR 1274	1445	SCREW FOR 1444
1072	SET SCREW FOR 1071	1189	RUBBER FLANGE	1284	WASHER FOR 1283	1446	SET SCREW FOR 1442
1073	NEEDLE BAR CRANK CONNECTION	1190	RUBBER FLANGE	1284	WASHER FOR 1283	1446	SET SCREW FOR 1442
1074	NEEDLE BAR CRANK CONNECTION	1192	FEED LIFTING BELL CRANK	1302	TOP COVER PLATE ONLY	1448	SOLENOID FOR 1447
1075	CLAMP SCREW FOR 1077	1194	NUT FOR 1192	1302	TOP COVER PLATE ONLY	1449	KNEE LIFTER SHAFT
1079	SLIDING BLOCK FOR 1077	1195	SET SCREW FOR 1192	1305	HAND WHEEL	1451	KNEE LIFTER LOWER LEVER
1083	GUIDE TUBE FOR 1067B	1196	FEED LIFTING SHAFT	1306	GUIDE CAM	1452	KNEE LIFTER ARM JOINT
1085	PRESSER BAR LIFTER LEVER	1198	CLAMP SCREW FOR 1608	1307	GUIDE FOR FEED FORK	1453	ADJUST SCREW FOR 1448
1090	HINGE SCREW FOR 1085	1202	SLIDING BLOCK FOR 1355	1309	SET SCREW FOR 1306	1454	NUT FOR 1453
1091	LOOK NUT FOR 1085	1202	SCREW FOR 1414	1309	FEED FORK	1455	ADJUST SCREW FOR 1481
1093	HINGE SCREW FOR 1431	1203	OIL WICK SUPPORT	1313	FEED REGULATOR LINK	1456	FEED BAR BELL CRANK
1094	SCREW FOR 1431	1204	SCREW FOR 1203	1314	ADJUSTING WASHER FOR 1193	1456	FEED BAR BELL CRANK
1096	LINK SCREW FOR 1095	1206	SCREW FOR FEED SHAFT	1321	SOFT PILEG FOR 1346	1458	CAP SCREW FOR 1459
1097	KNEE LIFTER PULL ROD	1207	VINYL SILVEVE FOR 1205	1326	CAP SCREW FOR 1066	1459	THRUST WASHER FOR 1460
1098	NUT FOR 1097	1209	TENSION BARREL	1328	OIL SEAL FOR 1602	1460	BEARING ROLLERS COMPLETE
1099	FELT WASHER FOR 1097	1210	TENSION DISC	1335	FEED BAR	1461	SET SCREW FOR 1462
1101	SET SCREW FOR 1405	1212	CHECK SPRING				