

CONSEW *Since 1898*®

CONSOLIDATED SEWING MACHINE CORP.

└ INDUSTRIAL SEWING & CUTTING EQUIPMENT

PARTS LIST

207

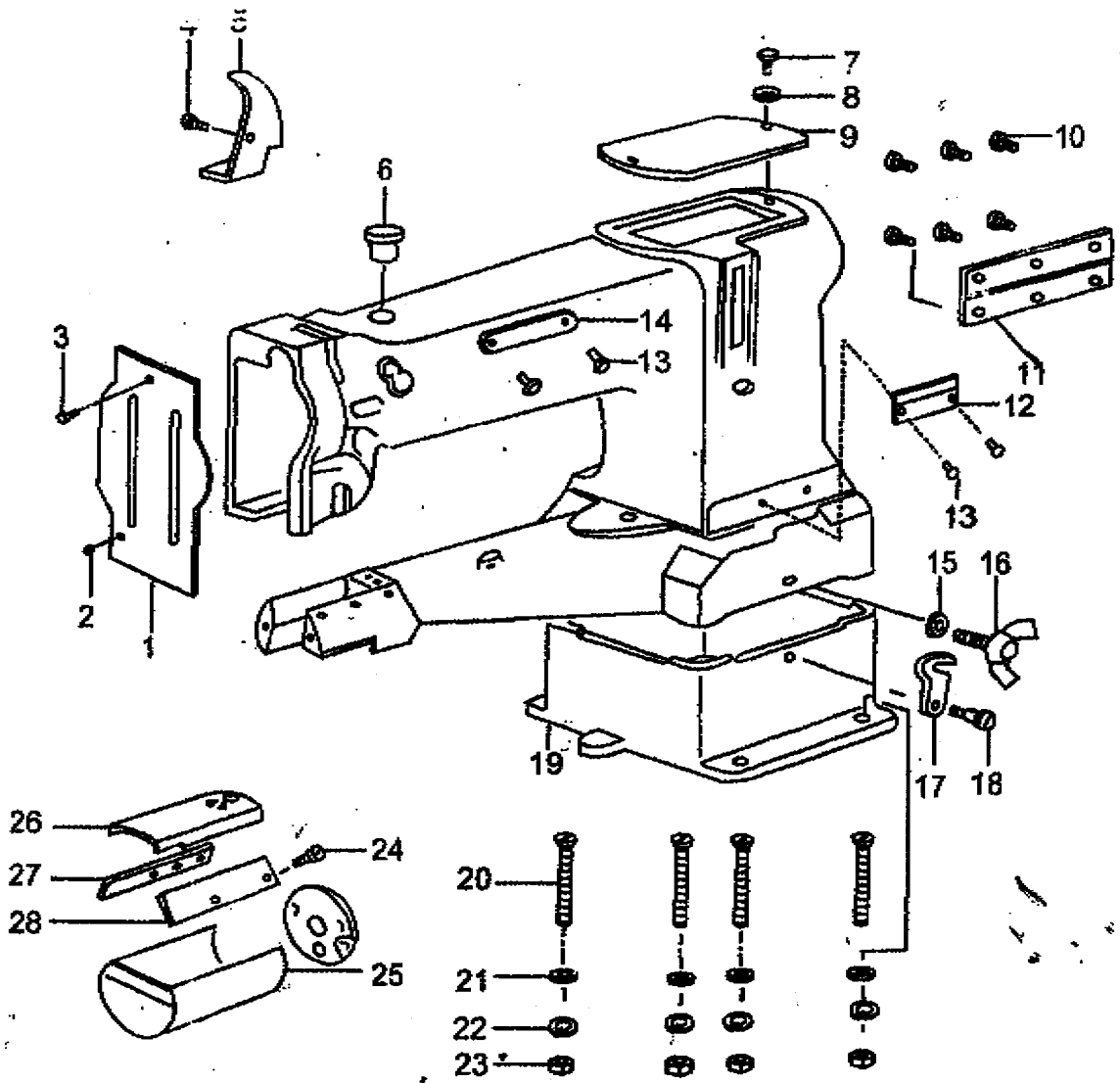
CONSEW *Since 1898*®

CONSOLIDATED SEWING MACHINE CORP.

└ INDUSTRIAL SEWING & CUTTING EQUIPMENT

400 VETERANS BLVD, CARLSTADT, NJ 07072

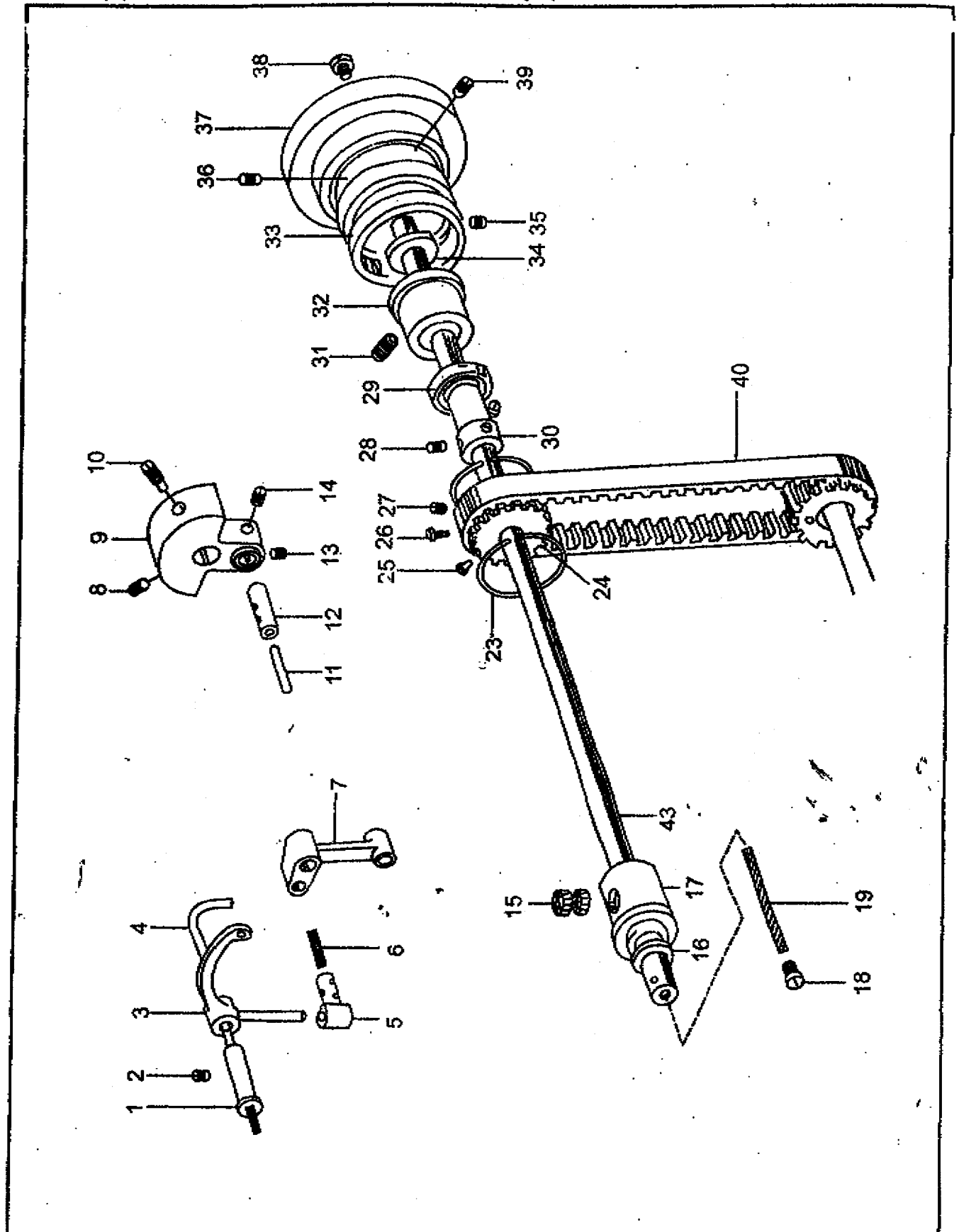
1. Arm



1. Arm

NO.	Part Number	Name	Qt.	Remark
1	16WF2-008	Face plate	1	
2	16WF2-010	Pin	1	
3	16WF2-009	Screw	1	SM9/64"X40
4	16WF1-059	Screw	1	SM9/64"X40
5	16WF2-038	Oil retainer	1	
6	16WF2-003	Rubber plug	1	
7	16WF2-022	Screw	1	SM3/16"X28
8	16WF2-023	Washer	1	
9	16WF2-021	Upper cover	1	
10	22WF2-004	Screw	6	M6X1
11	37T4-407	Hinge	1	
12	22WF2-005	Trade mark	1	
	28WF2-002	Rivet		
13		Trade mark	4	GB827-86
14	16WF2-053	Washer	1	
15	37T4-411	Connecting hook screw assembly	1	
16	22WF2-006	Connecting hook	1	M6X1
17	37T4-409	Screw	1	
18	22WF2-020	Bed	1	SM1/4"X28
19	22WF2-003	Screw	1	
20		Washer	4	M3X75 GB68-85
21		Washer	4	GB96-85-8
22		Washer	4	GB93-87-8
23		Nut	4	GB41-86-8
24	22WF2-013	Screw	4	SM9/65"X40
25	22WF2-014	Safety guard	1	
26	22WF2-010	Sliding plate assembly	1	
27	22WF2-011	Front plate for sliding plate	1	
28	22WF2-012	Rear plate for sliding plate	1	

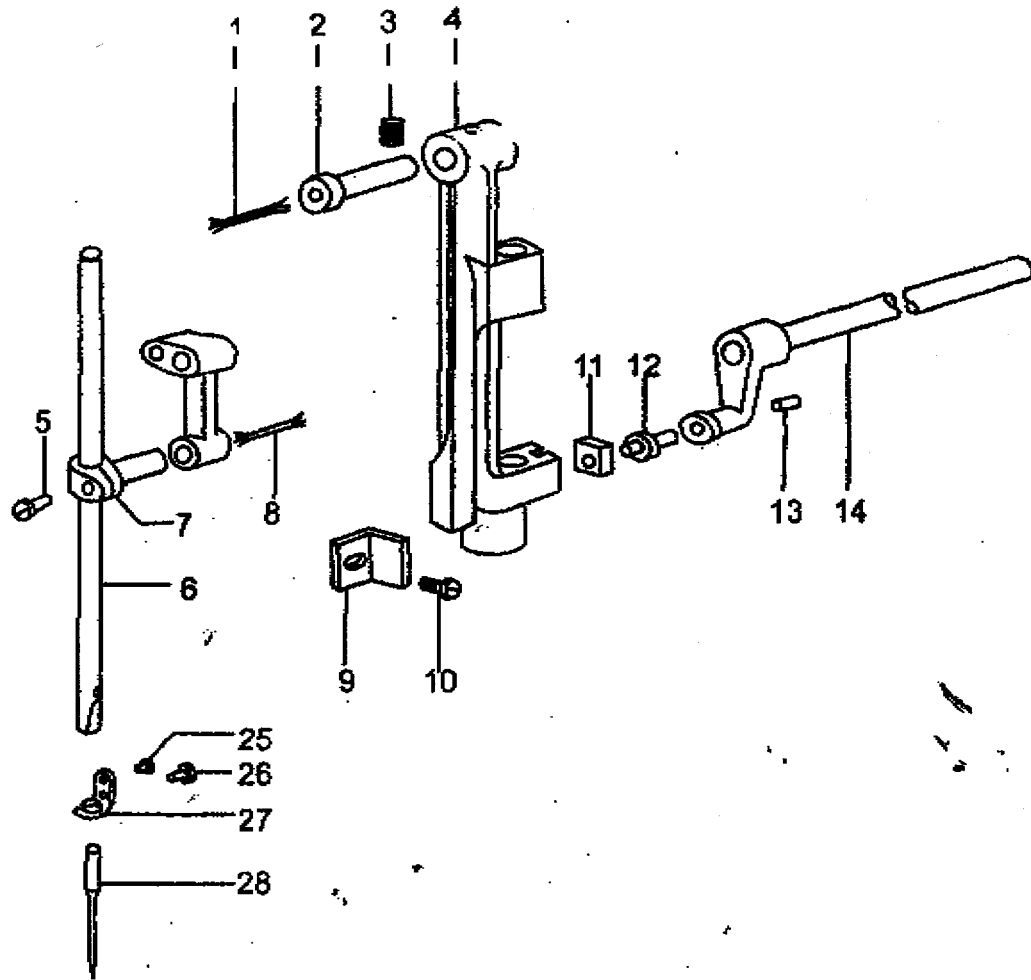
2. Upper shaft and thread take-up parts



2.Upper shaft and thread take-up parts

NO.	Part Number	Name	Qt.	Remark
1	16WF1-010	Thread take-up lever pin shaft	1	
2	16WF1-011	Screw	1	SM17/64" × 32
3	16WF1-012	Thread take-up lever	1	
4		Oil wick	1	
5	16WF1-013	Sliding block	1	
6		Oil wick	1	
7	16WF1-014	Needle bar link	1	
8	16WF1-020	Screw	1	SM1/4" × 28
9	16WF1-018	Needle bar crank	1	
	28WF1-002	Screw		
10	16WF1-019	Oil wick	1	SM1/4" × 28
11		Crank pin	1	
12	16WF1-015	Screw	1	
13	16WF1-017	Screw	1	SM1/4" × 28
14	16WF1-016	Oil felt	1	SM1/4" × 28
15	16WF1-025	Spacer	2	
16	16WF1-021	Front bushing	1	
17	22WF1-053	Screw	1	
18	22WF1-049	Oil wick	1	SM5/16" × 28
19		Screw	1	
		Nut		
23	16WF1-043	Retainer	2	
24	22WF1-043	Synchro pulley	1	
25	22WF1-044	Screw	1	SM1/4" × 28
26	22WF1-046	Screw	1	SM1/4" × 28
27	22WF1-045	Screw	1	SM1/4" × 28
28	22WF1-048	Screw	2	SM1/4" × 28
29		Bearing	1	202 15×35×11
30	22WF1-047	Bushing	1	
31	16WF1-004	Screw	1	SM17/64" × 32
32	16WF1-026	Rear bushing	1	
33	22WF1-008	Ring for balance wheel	1	
34	16WF1-029	Retainer	1	
35	16WF1-056	Screw	1	SM1/4" × 32
36	13WF1-078	Screw	1	SM15/64" × 28
37	16WF1-035	Balance wheel	1	
38	16WF1-040	Screw	1	SM11/32" × 28
39	13WF1-077	Screw	1	SM15/64" × 28
40	22WF1-007	Synchro belt	1	
43	22WF1-005	Upper shaft	1	

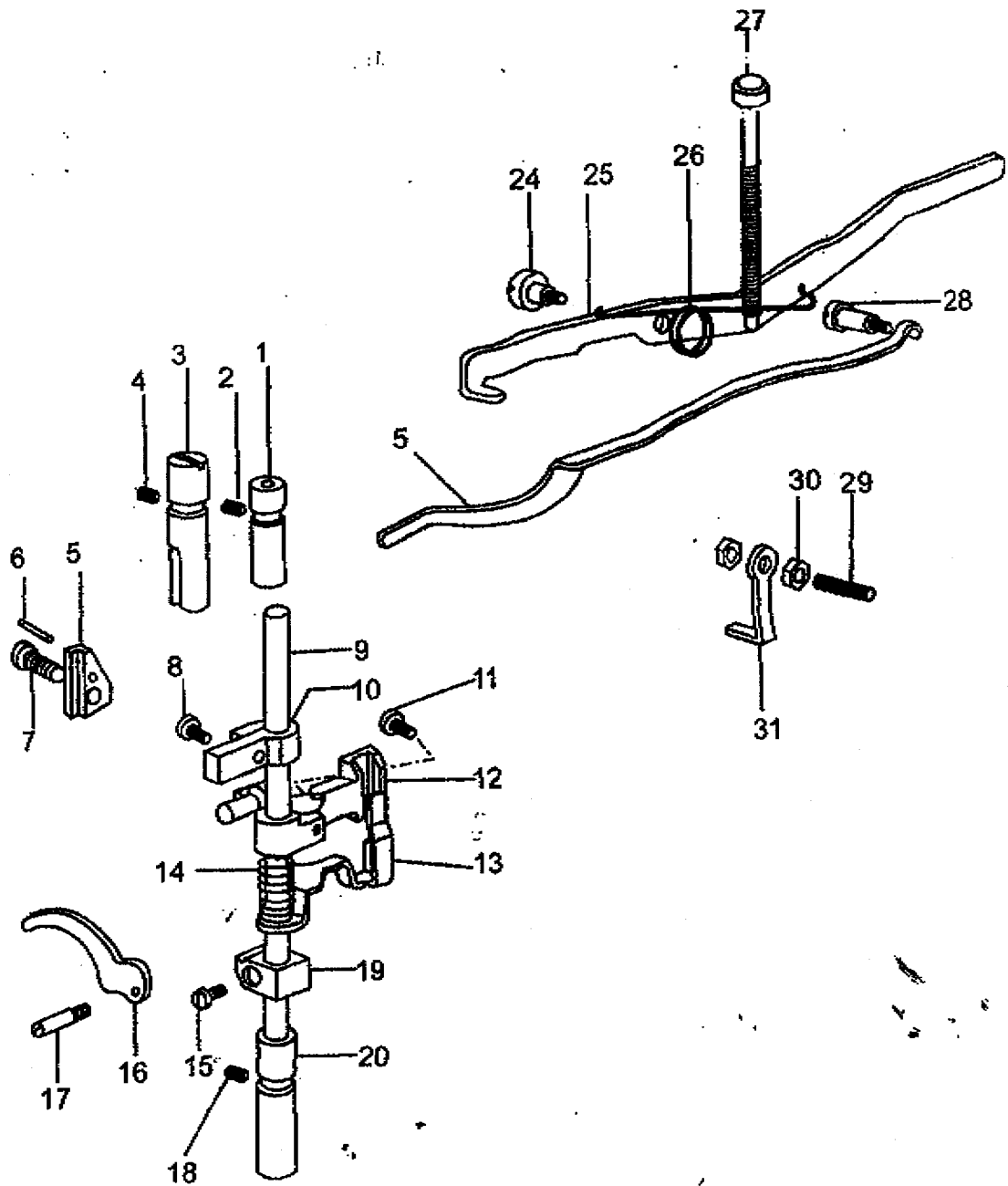
3. Needle bar rock parts



3. Needle bar rock parts

NO.	Part. Number	Name	Qt.	Remark
1		Oil wick	1	
2	22WF5-002	Pin for needle bar rock holder	1	
3	16WF1-011	Screw	1	SM17/64"×32
4	22WF5-001	Needle bar rock holder	1	
5	16WF1-009	Screw	1	M4×0.7
6	22WF1-001	Needle bar	1	
7	22WF1-004	Needle bar adaptor	1	
8		Oil wick	1	
9	1WF5-009	Guide plate	1	
10	1WF5-010	Screw	1	SM11/64"×40
11	22WF5-005	Sliding block	1	
12	22WF5-006	Sliding block shaft	1	
13	22WF1-020	Screw	1	SM7/32"×32
14	22WF5-004	Needle bar rock shaft	1	
25	16WF1-006	Screw	1	SM3/32"×56
26	22WF4-003	Screw	1	SM1/8"×40
27	22WF4-002	Needle bar finger	1	
28		Needle	1	DPx17 18#

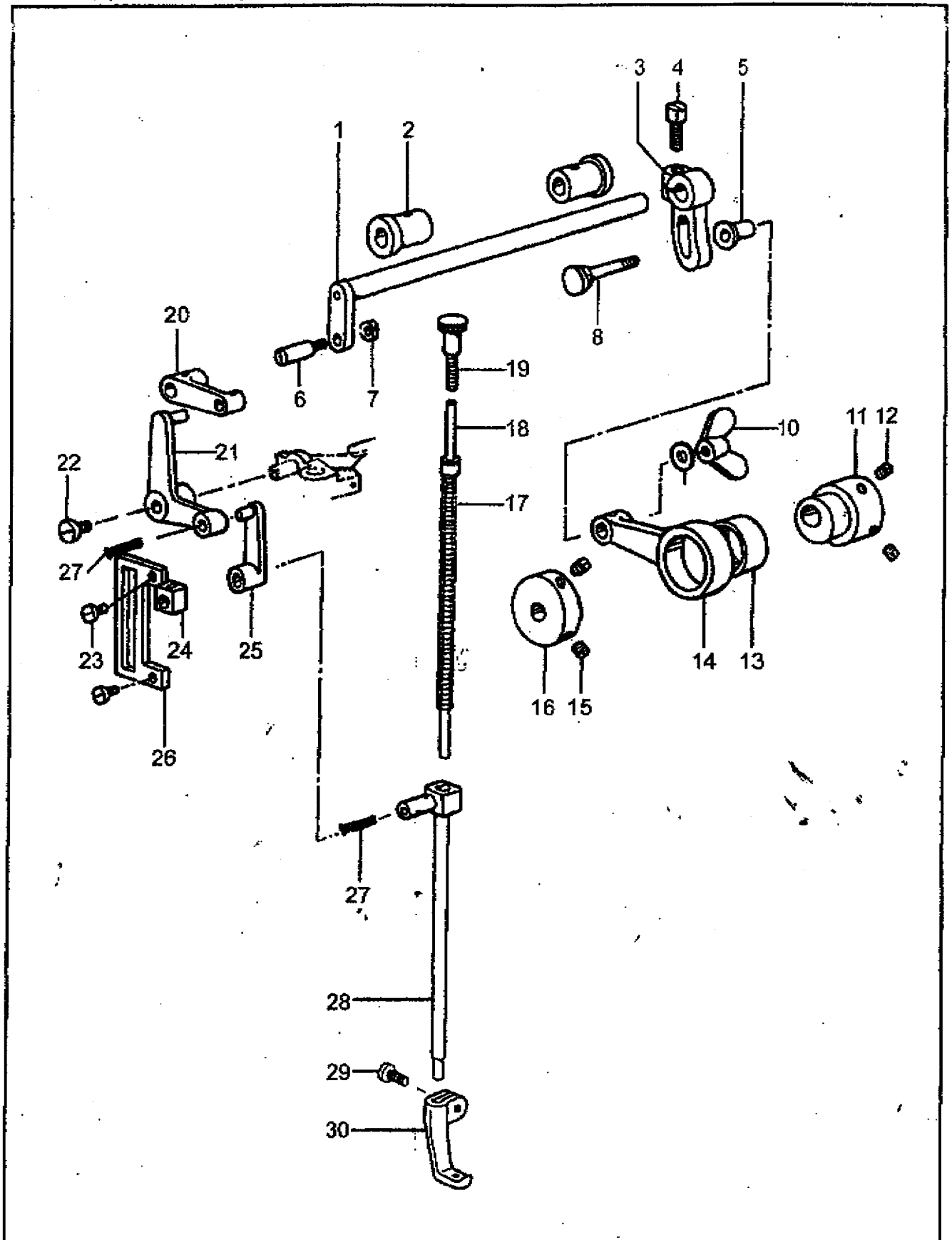
4. Presser bar parts



4. Presser bar parts

NO.	Part Number	Name	Qt.	Remark
1	16WF4-027	Upper shaft bushing for presser bar	1	
2	16WF3-025	Screw	1	SM17/64" X 32
3	16WF4-020	Guide shaft	1	
4	16WF3-025	Screw	1	SM17/64" X 32
5	22WF3-010	Pressure plate	1	
6	22WF3-012	Pressure plate pin	1	
7	22WF3-011	Screw	1	SM1/4" X 28
8	16WF4-022	Screw	1	SM9/64" X 40
9	22WF3-005	Presser bar	1	
10	16WF4-021	Presser bar guide	1	
11	16WF2-033	Screw	1	SM11/64" X 40
12	22WF3-007	Thread releasing guide bracket	1	
13	22WF3-009	Thread releasing plate	1	
14	22WF3-008	Spring	1	M4 X 0.7
15	16WF1-009	Screw	1	
16	16WF4-002	Presser foot lifter	1	
17	16WF3-001	Presser foot lifter shaft	1	SM17/64" X 32
18	16WF3-025	Screw	1	
19	16WF4-023	Presser bar plate spring bracket	1	
20	22WF3-006	Lower shaft bushing	1	SM9/64" X 40
23	16WF4-009	Presser bar plate spring	1	
24	16WF3-059	Screw	1	SM1/4" X 28
25	22WF3-002	Presser foot lifter lever	1	
26	22WF3-001	Spring	1	
27	16WF4-016	Regulating screw	1	SM17/64" X 32
28	16WF4-008	Screw	1	SM1/4" X 28
29	22WF3-003	Screw	1	SM15/64" X 28
30	22WF3-004	Nut	2	
31	22WF3-015	Position plate	1	

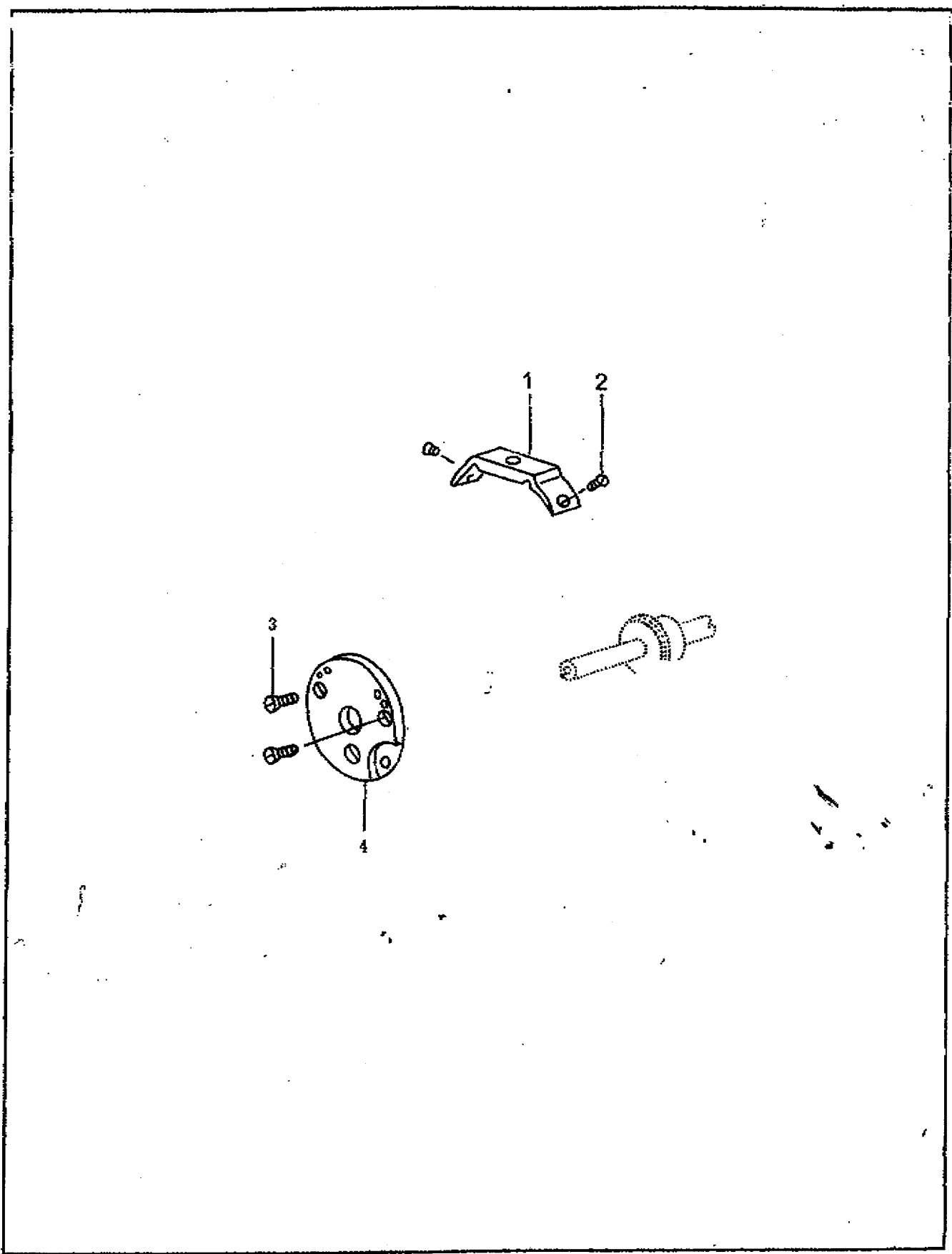
5. Upper feed parts



5. Upper feed parts

NO.	Part Number	Name	Qt.	Remark
1	22WF5-012	Presser foot lifter shaft	1	
2	22WF5-013	Bushing	2	
3	22WF5-017	Crank	1	
4	16WF3-030	Screw	1	SM1/4" X 28
5	22WF5-019	Collar	1	
6	22WF5-015	Screw	1	SM1/4" X 28
7	22WF5-016	Nut	1	
8	22WF5-018	Screw	1	SM7/32" X 32
9	16WF2-023	Washer	1	
10	22WF5-020	Nut	1	
11	22WF5-022	Eccentric wheel	1	
12	22WF4-002	Screw	2	SM1/4" X 40
13		Bearing	1	
14	22WF5-021	Eccentric link	1	
15	22WF5-025	Screw	2	SM7/32" X 32
16	22WF5-024	Collar	1	
17	22WF5-030	Spring	1	
18	22WF5-031	Spring lever	1	
19	22WF5-034	Screw	1	SM9/32" X 32
20	22WF5-014	Link	1	
21	22WF5-026	Rocking plate	2	
22	22WF5-027	Screw	1	SM11/64" X 40
23	16WF1-059	Screw	2	SM9/64" X 40
24	22WF5-009	Sliding block	1	
25	22WF5-028	Link	1	
26	22WF5-003	Guide rail	1	
27		Oil wick	2	
28	22WF5-029	Rocking presser lever	1	
29	22WF5-033	Screw	1	SM5/32" X 40
30	22WF5-032	Small presser foot	1	
	28WF5-001			

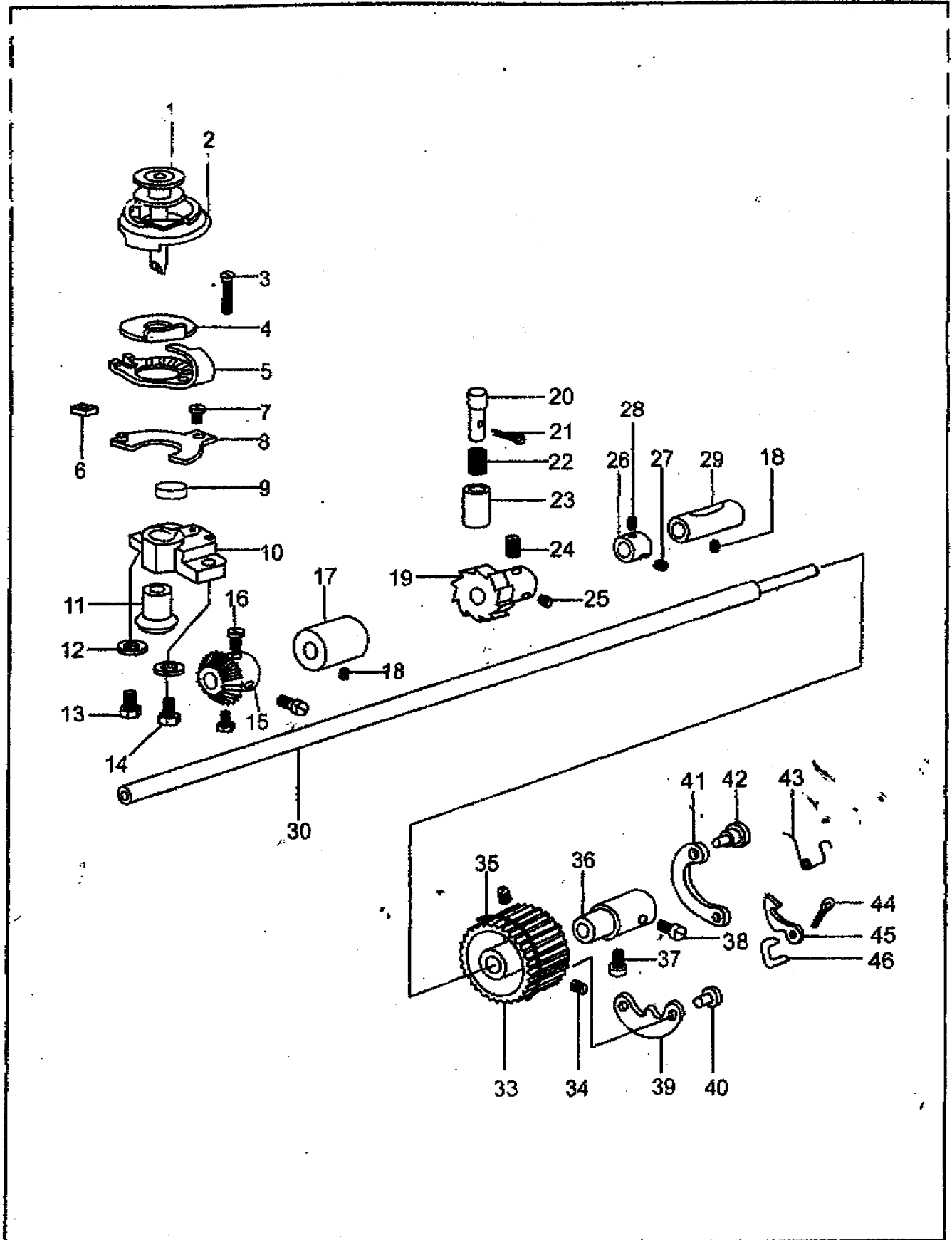
6. Needle plate parts



6. Needle plate parts

NO.	Part Number	Name	Qt.	Remark
1	22WF2-009	Needle plate	1	
2	22WF2-007	Screw	2	SM9/64" X40
3	22WF2-017	Nut	2	SM3/16" X32
4	22WF2-016	Screw	1	

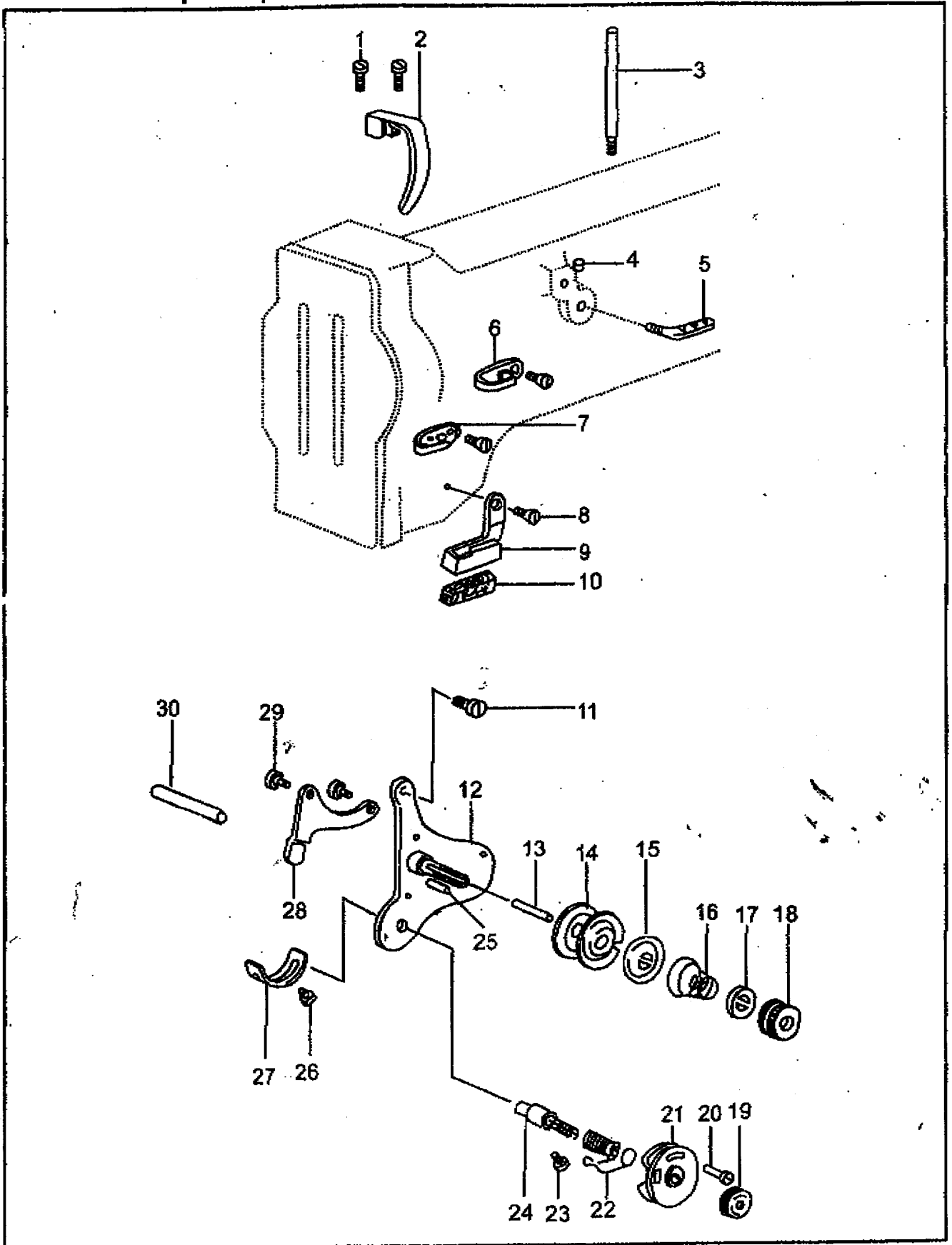
7. Lower shaft and rotating hook parts:



7. Lower shaft and rotating hook parts

NO.	Part Number	Name	Qt.	Remark
1	16WF1-063	Bobbin	1	
2		Bobbin	1	Koban KRT31-11S
3	22WF1-029	Rotating hook	1	SM9/64" X 40
4	22WF1-033	Screw	1	
5	22WF1-030	Eccentric plate	1	
6	22WF1-031	Thread separator	1	
7	13WF2-008	Sliding block	1	
8	22WF1-032	Screw	1	
9	22WF1-037	Set plate	1	
10	22WF1-034	Oil felt	1	
	9KT1-006	Rotating hook bracket		
11	22WF1-028	Hook bevel gear	1	
12	22WF1-036	Washer	2	
13	22WF1-035	Screw(big)	1	M5 X 0.8
14	22WF1-050	Screw(small)	1	M5 X 0.8
15	22WF1-024	Lower shaft bevel gear	1	
16	22WF1-025	Screw	3	M5 X 0.8
17	22WF1-021	Bushing	1	
	28WF1-061	Bushing		
18	22WF1-022	Screw	2	SM15/64" X 28
19	22WF1-039	Stop wheel	1	
20	22WF1-038	Button	1	
21		Split ring	1	
22	16WF3-046	Spring	1	GB91-86 1.6 X 10
23	22WF1-040	Collar	1	
24	380637	Screw	1	
25	380640	Screw	1	SM1/4" X 32 Length 8
26	22WF1-026	Collar	1	SM1/4" X 32 Length 7
27	13WF3-072	Screw	1	
28	13WF3-027	Screw	1	M5 X 0.8
29	22WF1-023	Lower shaft rear bushing	1	
30	22WF1-009	Lower shaft	1	
31	22WF2-015	Position plate	1	SM1/8" X 40
34	22WF1-020	Screw	2	SM7/32" X 32
35	16WF1-043	Retainer	1	
36	22WF1-011	Bushing	1	
37	22WF1-012	Screw	1	SM1/4" X 32
38	22WF1-052	Screw	1	
39	22WF1-018	Stop plate	1	
40	22WF1-019	Screw	1	
41	22WF1-013	Spring plate	1	
42	22WF1-015	Pin	1	
43	22WF1-014	Spring	1	
44		Split pin	1	GB91-86 1.2 X 8
45	22WF1-016	Stop plate	1	
46	22WF1-017	Connecting part	1	

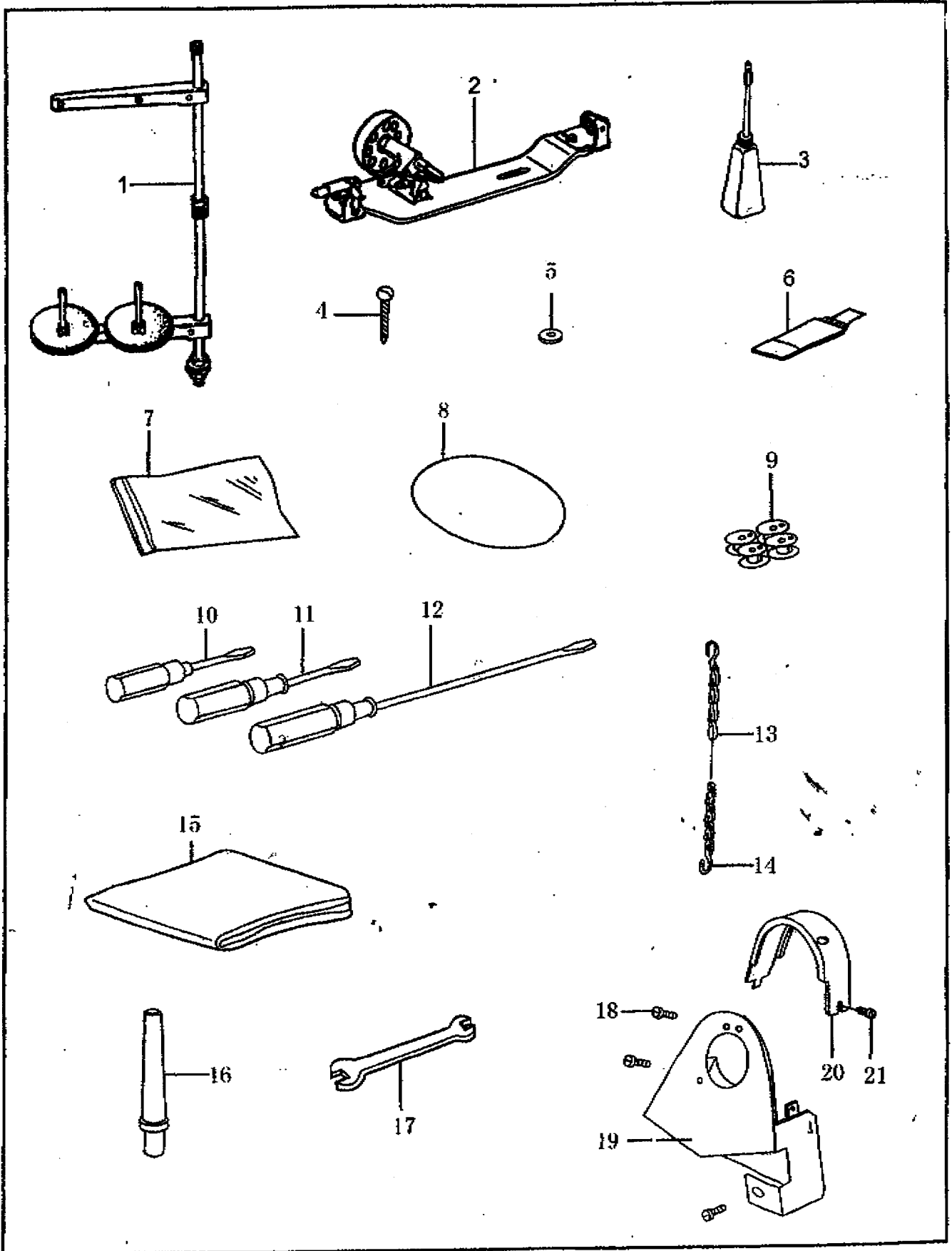
8. Thread-pass parts



8. Thread-pass part

NO.	Part Number	Name	Qt.		Remark
			8B	8BV	
1	16WF2-017	Screw	2	2	SM9/64" X 40
2	16WF2-016	Safety guard	1	1	
3	16WF2-048	Thread retaining pin	1	1	
4	16WF2-025	Screw	1	1	SM9/64" X 40
5	16WF2-024	Three-eye thread finger	1	1	
6	16WF2-011	Upper thread finger	1	1	
7	16WF2-012	Middle thread finger	1	1	
8	16WF2-015	Screw	3	3	SM9/64" X 40
9	16WF2-013	Lower thread finger	1	1	
10	16WF2-014	Felt	1	1	
11	16WF2-020	Screw	1	1	SM11/64" X 32
12	16WF2-046A1	Set plate	1	1	
13	16WF2-046A13	Thread releasing pin	1	1	
14	16WF2-046A6	Thread tension plate	2	2	
15	16WF2-046A5	Thread releasing plate	1	1	
16	16WF2-045A4	Spring	1	1	
17	153029	Stop plate	1	1	
18	16WF2-046A3	Nut	1	1	
19	16WF2-046A11	Nut	1	1	
20	16WF2-046A9	Screw	1	1	SM3/32" X 56
21	1WF1-010J	Thread control plate assembly	1	1	
22	16WF2-046A7	Thread take-up spring	1	1	
23	16WF2-033	Screw	1	1	SM11/64" X 32
24	16WF2-046A10	Thread take-up spring shaft	1	1	
25	16WF2-046A12	Pin	1	1	
26	16WF2-050	Screw	1	1	SM9/64" X 40
27	16WF2-049	Position plate	1	1	
28	16WF2-046A14	Thread tension releasing disc	1	1	
29	16WF2-046A15	Screw	2	2	SM9/64" X 40
30	103723	Thread tension releasing lever	1	1	

9. Accessories



9 .Accessories

NO.	Part Number	Name	Qt.	Remark
1	4P-007	Spool stand assembly	1	
2	S14420020	Thread winder assembly	1	
3	33TF-011	Oil pot	1	
4	33TF-017	Wood screw	2	5X20 GB99-86
5	33TF-018	Washer	2	Washer6 GB848-85
6	1F-019	Needle	4	DPx17 18#
7	33TF-010	Accessory bag	1	
8	33TF-005	V-belt	1	O-Type 1380mm
9	16WF1-063	Bobbin	4	
10	33TF-014	Screwdriver (small)	1	
11	33TF-013	Screwdriver (medium)	1	
12	33TF-012	Screwdriver (big)	1	
13	18WF1-017	Chain	1	Length1000mm
14	18WF1-016	Chain finger	2	
15		Cover	1	
16	16WF5-007	Machine head support	1	
17		Two head wrench	1	
18	37T4-416	Screw	2	SM9/64" X40
19	22WF6-006	Safety guard (II)	1	
20	22WF6-005	Safety guard (I)	1	
21	22WF6-007	Screw	2	SM15/64" X28

207

