



CONSOLIDATED SEWING MACHINE CORP.

└ INDUSTRIAL SEWING & CUTTING EQUIPMENT

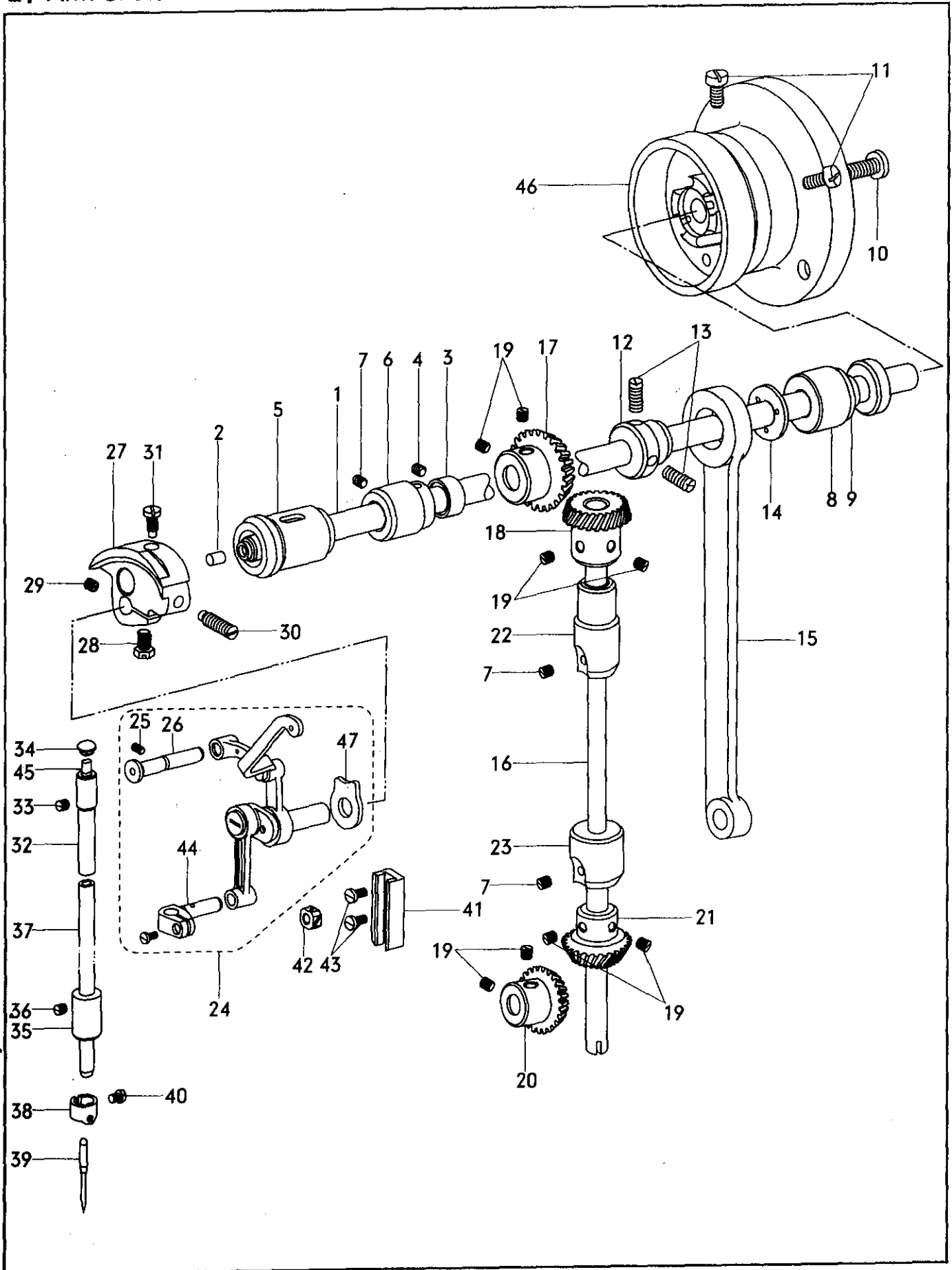
MODEL 205RB

PARTS LIST

1: Machine Arm and Bed

No.	Part number	Name	Qt.	Remark
1	7WF4-002(11WF4-004)	Arm	1	Part number shown in parentheses is for
2	7WF4-001	Bed	1	
3	7WF4-005	Holder	1	
4	1WF3-025	Screw	2	GB827-86 2.5×5
5	7WF4-003	Face plate	1	
6	7KT4-010	Rear cover(small)	1	
7	22T1-003C ₃	Rubber Plug(Φ19)	1	
8	22T1-003C ₄	Rubber plug(Φ11.8)	4	
9	22T1-003C ₅	Thread finger	1	
10	22T1-003C ₆	Screw	3	
11	7WF4-004	Screw	3	
12	14WF4-005	Oil screen complete	1	
13	36T2-004	Three-eye finger	1	
14	36T2-005	Screw	1	
15	36T2-006D	Thread tension complete	1	
16	36T2-006D ₁	Thread pass-by plate	1	
17	36T2-006D ₂	Screw	1	
18	22T1-009E ₃	Tension disc	2	
19	36T2-006D ₃	Spring	1	
20	36T2-006D ₄	Nut	1	
21	22T1-011	Set screw	1	
22	22T1-012F	Thread tension complete	1	
23	22T1-012F ₁	Screw	1	
24	22T1-012F ₂	Nut	1	
25	33T4-008C ₁	Spring	1	
26	22T1-012F ₄	Thread tension complete	1	
27	22T1-012F ₅	Thread tension disc	2	
28	22T1-012F ₆	Thread take-up spring	1	
29	22T1-012F ₇	Thread tension adjusting bracket	1	
30	22T1-012F ₈	Screw	1	
31	22T1-012F ₉	Thread releasing pin	1	
32	22T1-012F ₁₀	Stopping plate	1	
33	22T1-012F ₁₁	O-type ring	1	
34	22T1-013	Set screw	1	
35	22T1-014	Thread finger	1	
36	22T1-015	Rubber plug(Φ8.8)	2	
37	22T1-016	Rubber plug(Φ27)	1	
38	22T1-017	Rubber plug(Φ5.7)	1	
39	33T4-007	Thread take-up lever guard.	1	
40	7WF5-017	Screw	1	
41	33T4-012(11WF4-003)	Throat plate	1	Part number shown in parentheses is for
42	22T1-020	Screw	2	
43	7WF4-006	Sliding plate	1	
44	22T1-013F ₂	Spring	1	
45	22T1-013F ₃	Screw	2	
46	7WF4-015	Lower thread finger	1	
47	7WF4-013	Bed leg	4	
48		Washer	4	Washer GB93-87
49	7WF4-007	Rear cover	1	
50	7WF4-008	Seal gasket	1	
51	22T1-006	Screw	10	
52	22T1-007	Washer	10	
53	7WF4-011	Oil retaining plate	1	
54	22T4-004	Screw	1	
55	7WF4-012(11WF4-001)	Trade mark plate	1	Part number shown in parentheses is for
56		Rivet	2	GB827-86 2.5×5

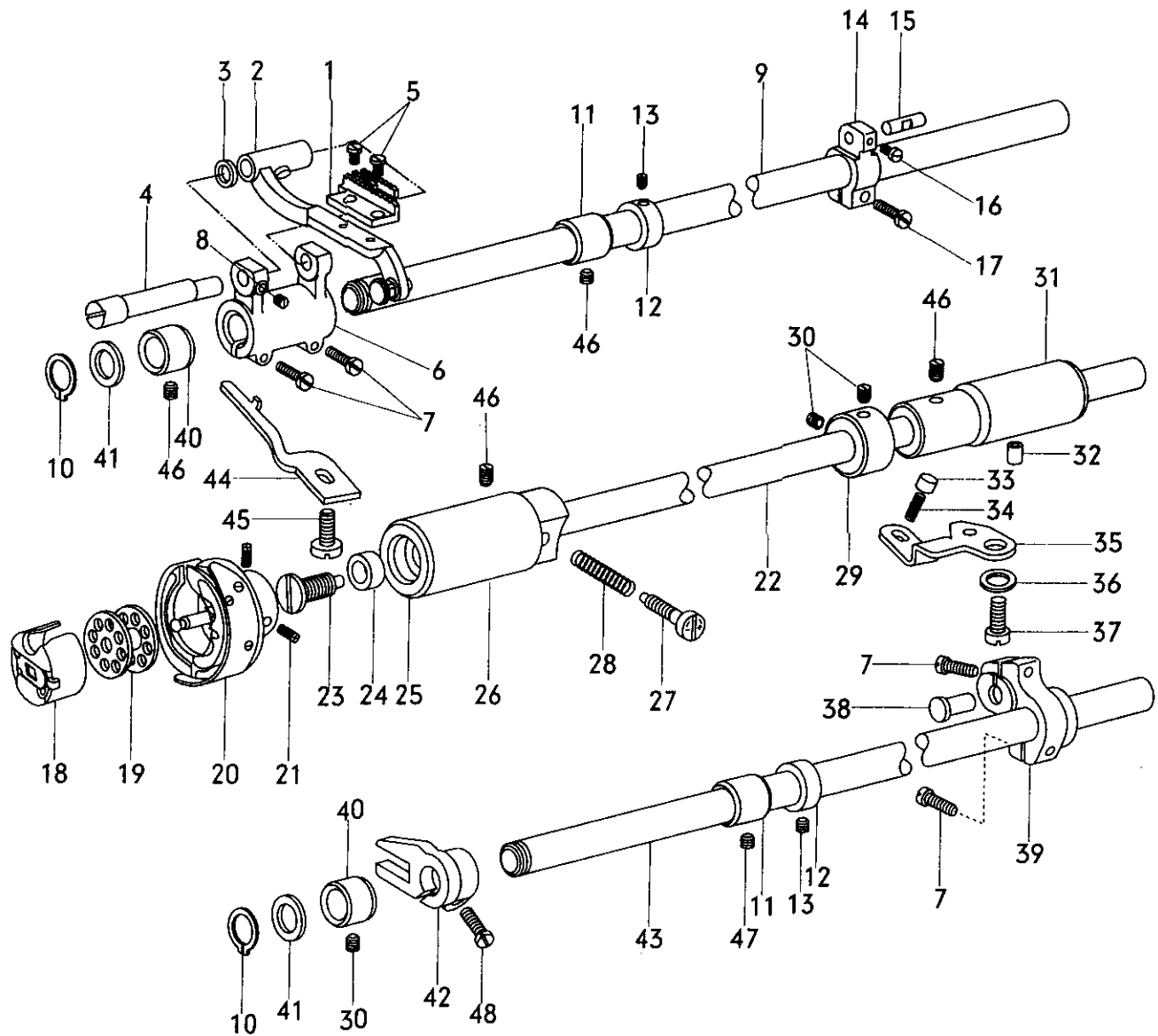
2: Arm Shaft and Vertical Shaft Needle bar Thread Take-up



2: Arm Shaft and Vertical Shaft Needle bar Thread Take-up

No.	Part number	Name	Qt.	Remark
1	4WF1-001A	Arm shaft	1	
2	22T3-001A	Rubber plug	2	
3	22T3-002B ₁	Collar	1	
4	22T3-002B ₂	Screw	2	
5	33T1-007D ₁	Front bushing	1	
6	4WF1-002	Middle bushing	1	
7	J0.0.40	Screw	3	
8	22T3-005	Rear bushing	1	
9	22T3-006F	Oil seal complete	1	
10	22T3-008	Screw	1	
11	22T3-007C ₂	Screw	2	
12	36T3-003D ₁	Feed dog lift cam	1	
13	36T3-003D ₂	Screw	3	
14	36T3-004	Seperating piece for cam	1	
15	22T3-009D,C	Link	1	
16	15WF1-001	Vertical shaft	1	
17	22T3-010E _{2a1-2}	Bevel gear	1	
18	22T3-010E _{2a2-2}	Vertical shaft bevel gear(upper)	1	
19	22T2-005B ₃	Screw	8	
20	22T3-010E _{2b2-2}	Rock shaft bevel gear	1	
21	22T3-010E _{2b2-2}	Vertical shaft bevel gear(lower)	1	
22	4WF1-003A	Vertical shaft bushing(upper) complete	1	
23	33T1-023P	Vertical shaft bushing(lower) complete	1	
24	33T1-023A	Thread take-up lever complete	1	
25	J0.0.40	Screw	1	
26	33T1-002	Hinge pin	1	
27	33T1-006C ₁	Needle bar crank	1	
28	33T1-006C ₃	Screw	1	
29	22T2-005B ₃	Set screw	1	
30	33T1-006C ₂	Screw	1	
31	61-04-01/B ₂	Set screw	1	
32	22T2-008	Needle bar upper bushing	1	
33	J0.0.35	Screw	1	
34	22T2-011	Rubble plug (Ø8.8)	1	
35	34T1-001	Needle bar lower bushing	1	
36	22T2-013	Screw	1	
37	33T1-017	Needle bar	1	
38	22T2-015	Thread finger	1	
39		Needle	1	DPX17 23' (25' for 2000' 20X)
40	22T2-017	Screw	1	
41	33T1-012	Rail	1	
42	33T1-013	Sliding block	1	
43	22T2-019	Screw	2	
44	22T2-001A ₃	Needle bar adaptor	1	
45		Felt	1	
46	7WF1-001	Balance wheel	1	
47	33T1-005	Washer	1	

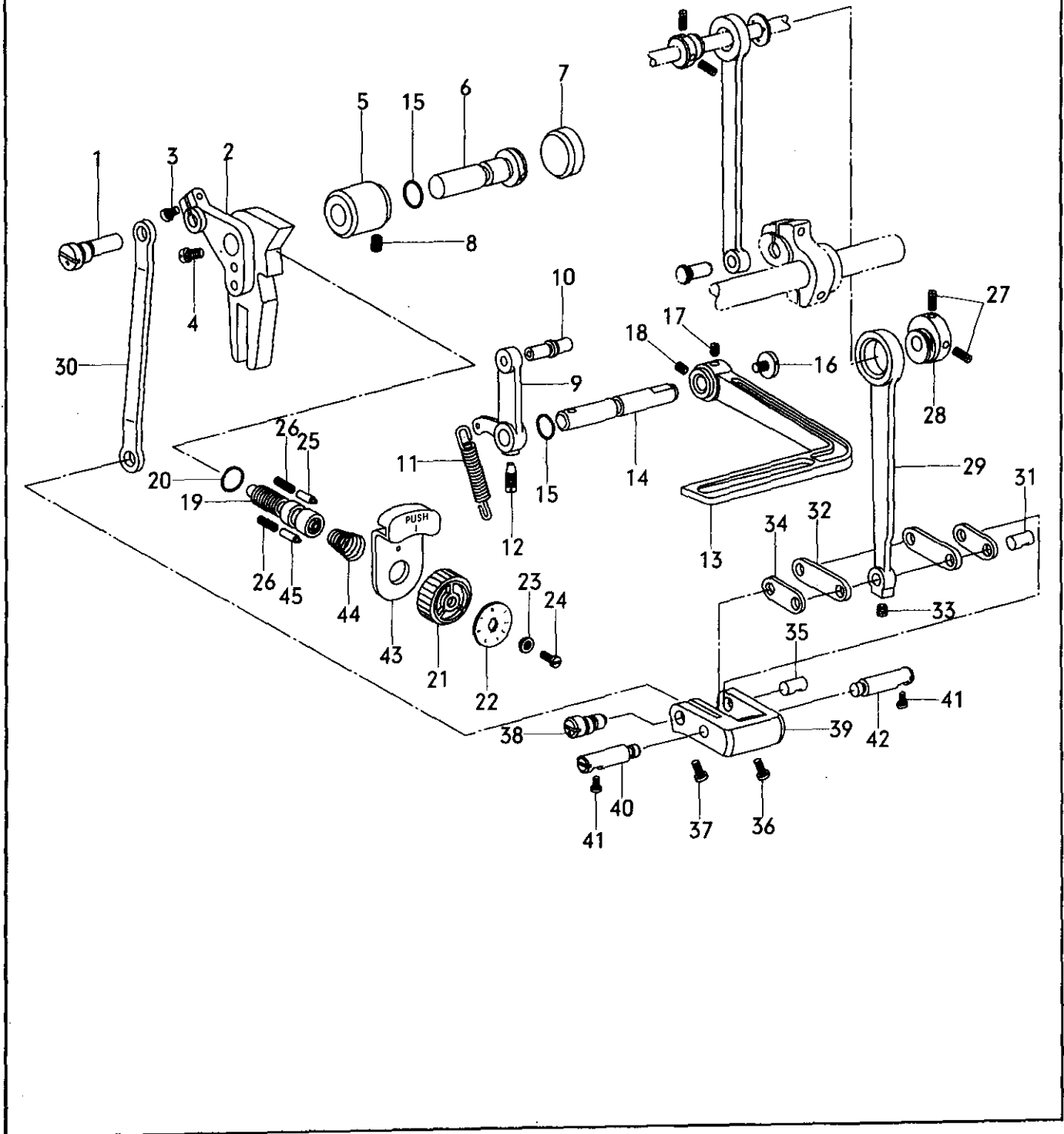
3: Feed Dog Lift And Feed And Thread Looping



3: Feed Dog Lift And Feed And Thread Looping

No.	Part number	Name	Qt.	Remark
1	20T3-007(4WF2-001)	Feed dog	1	Part number shown in parentheses is for C
2	36T4-001A ₁	Feed dog support complet	1	
3	51T5-001A ₁	Washer	1	
4	36T4-001A ₂	Eccentric shaft	1	
5	J0.0.51	Screw	2	
6	4WF2-002	Feed dog support crank	1	
7	J0.0.71	Screw	4	
8	22T2-019	Screw	1	
9	7WF-004	Feed shaft	1	
10		Stop ring	2	Retainer ring 15 GB894-76
11	7WF2-003	Feed shaft middle bushing	2	
12	22T6-005B ₁	Collar	2	
13	22T3-002B ₂	Screw	4	
14	4WF2-006	Feed shaft rear crank	1	
15	36T4-004H ₀₁	Link pin	1	
16	36T5-008E ₃	Screw	1	
17	22T6-008D ₃	Tension screw	1	
18	33T1-028R	Bobbin case complete	1	
19	33T1-027	Bobbin	1	
20	33T1-018J(11WF4-005)	Hook complete	1	Part number shown in parentheses is for C
21	33T1-018J ₃	Hook screw	3	
22	36T4-008D ₁	Rock shaft	1	
23		Screw	1	
24		Plug	1	
25	22T4-003	Oil seal	1	
26	4WF1-005	Front bushing	1	
27	22T4-005	Screw	1	
28	22T4-006	Spring	1	
29	22T4-002B1	Collar	1	
30	J0.0.35	Screw	3	
31	4WF1-004	Rear bushing	1	
32	22T4-007C ₂	Oil tube	1	
33	36T4-015	Plunge	1	
34	36T4-016	Spring	1	
35	22T4-010	Stopper	1	
36		Washer	1	Retainer ring 6 GB894-76
37	22T8-009	Screw	1	
38	22T6-007	Hinge pin	1	
39	4WF2-003	Feed dog lift rear crank	1	
40	7WF2-002	Feed shaft front bushing	2	
41	51T5-013	Washer	2	
42	36T4-018H ₁₀₁	Feed dog lift fork	1	
43	7WF2-001	Shaft for feed dog lift fork	1	
44	33T1-029	Hook set bracket	1	
45	22T4-015	Screw	1	
46	22T1-013	Screw	4	
47	J0.0.40	Screw	1	
48	22T6-008D ₄	Screw	1	

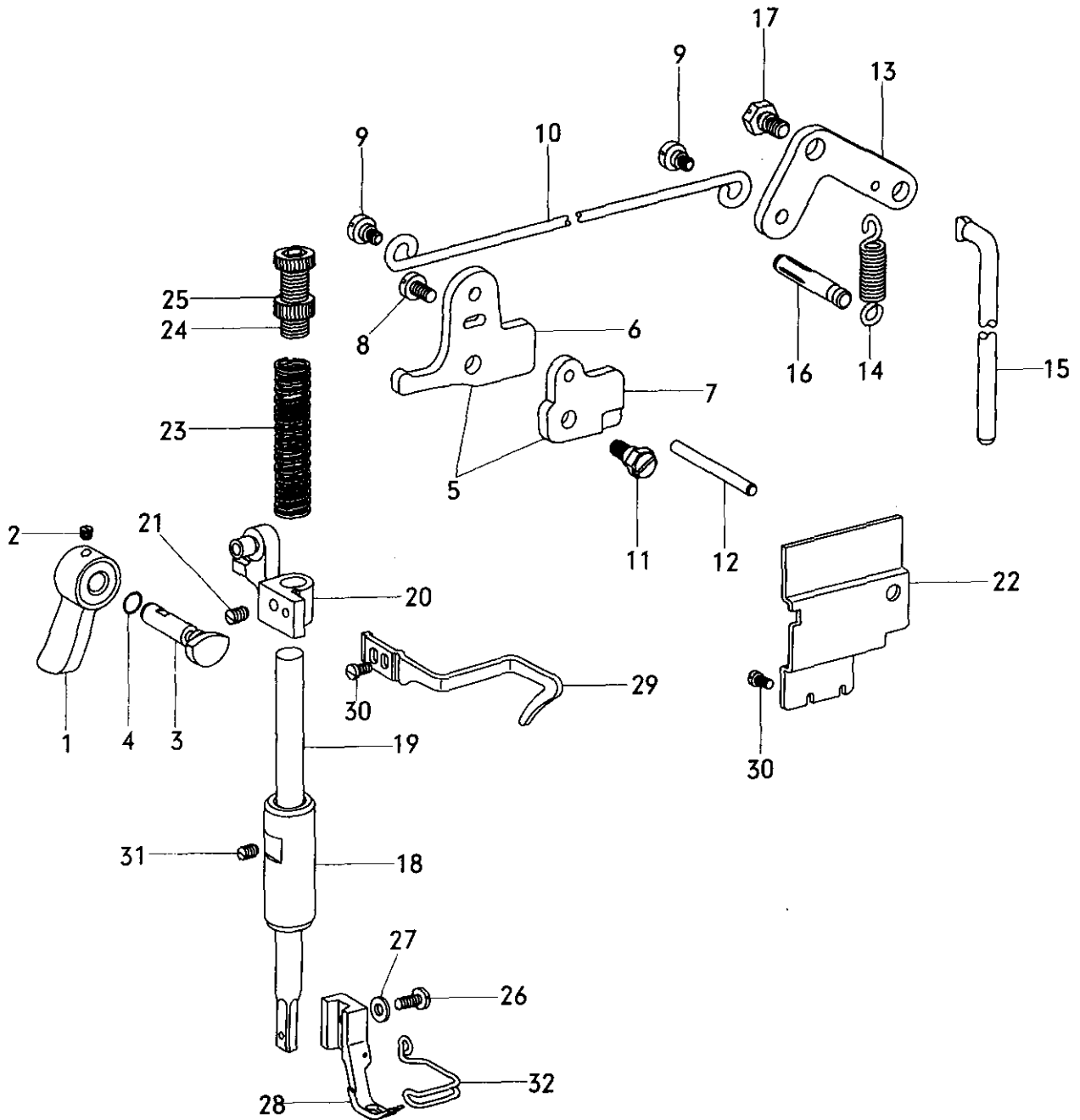
4: Feed Mechanism



4: Feed Mechanism

No.	Part number	Name	Qt.	Remark
1	36T5-001	Link pin	1	
2	7WF2-012	Stitch length bracket	1	
3	22T6-008D ₁	Screw	1	
4	22T5-010D ₄	Screw	1	
5	4WF2-008	Bushing	1	
6	22T5-004	Shaft for stitch length bracket	1	
7	36T5-003	Rubber plug(Φ20)	1	
8	J0.0.40	Set screw	1	
9	7WF2-009	Reverse feed lever crank	1	
10	7WF2-008A	Shaft for block	1	
11	22T5-012E ₂	Spring	1	
12	22T5-013	Screw	1	
13	7WF2-007A	Reverse feed lever	1	
14	22T5-010D _{2a}	Pin shaft	1	
15		O-type ring	2	O-type ring 8×1.9 GB1235
16	22T5-010D ₃	Tension screw	1	
17	17T5-016	Set screw	1	
18	17T5-017	Screw	1	
19	36T5-007D ₁	Screw bolt for stitch length	1	
20		O-type rubber ring	1	O-type ring 14×2.4 GB1235
21	36T5-007D ₂	Dial cup	1	
22	4WF2-004A	Dial face	1	
23	36T5-007D ₄	Screw bushing	1	
24	36T5-007D ₅	Screw	1	
25	36T5-012	Stop pin	1	
26	22T5-009	Spring	1	
27	36T3-003D ₂	Screw	2	
28	36T5-008E ₁	Feed cam	1	
29	4WF2-009A	Feed link	1	
30	4WF2-009B	Stitch adjusting link	1	
31	82T2-003C _{1a10-1}	Pin	1	
32	36T5-008E _{4H02}	Link	2	
33	36T5-008E ₅	Screw	1	
34	36T5-008E _{4H01}	Link	2	
35	82T2-003C _{1a10-2}	Pin for link	1	
36	36T5-008E ₇	Screw	1	
37	36T5-008E ₈	Screw	1	
38	36T5-008E ₉	Link eccentric shaft	1	
39	36T5-008E ₁₀	Stitch lenbgth adjusting crank	1	
40	5WF1-002	Set pin(left)	1	
41	22T6-008D ₃	Screw	2	
42	5WF1-001	Set pin(right)	1	
43	7WF2-005	Push lever	1	
44	36T5-011	Spring	1	
45	7WF2-006	Pin	1	

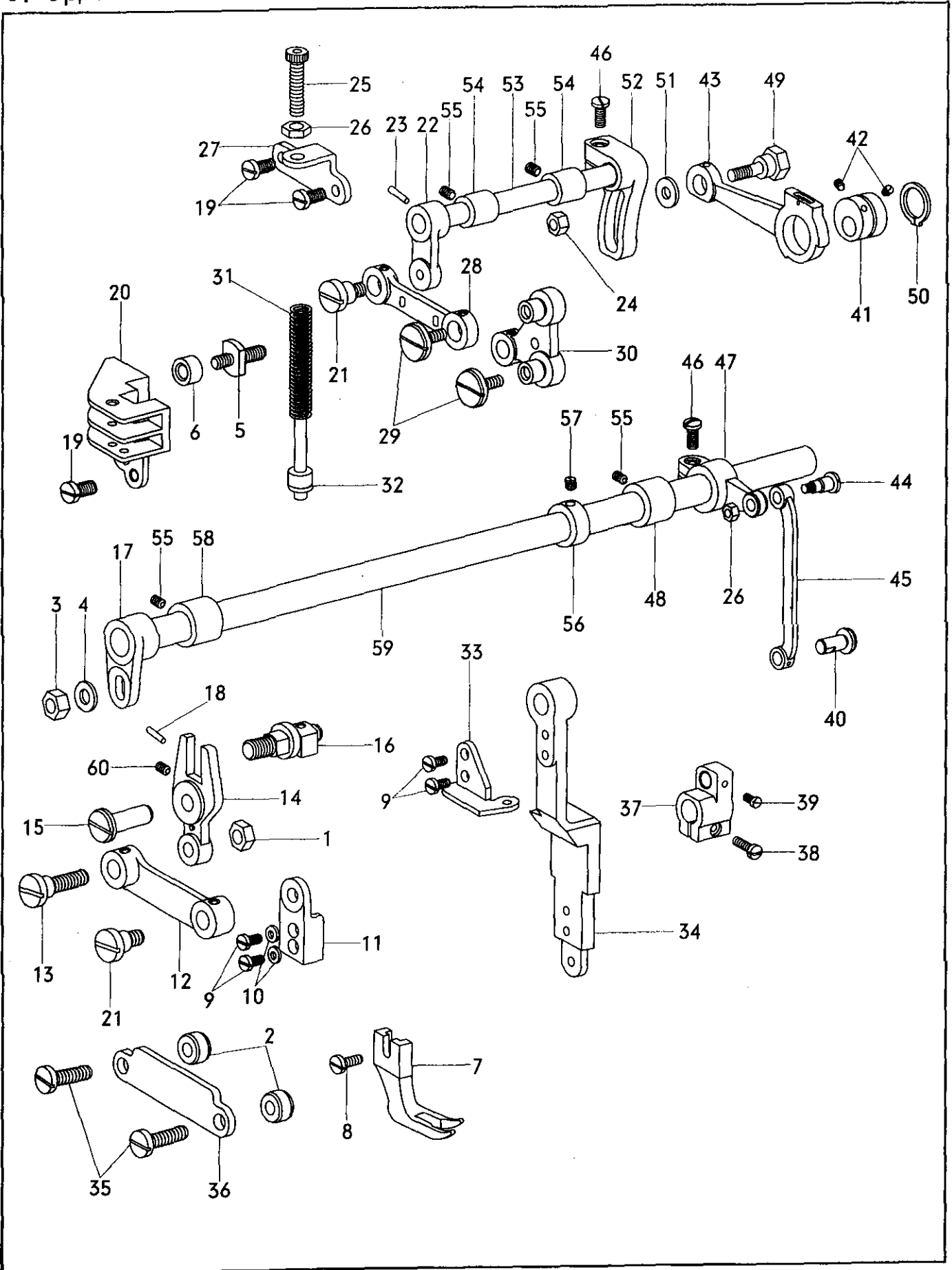
5: Presser Foot



5: Presser Foot

No.	Part number	Name	Qt.	Remark
1	34T3-304	Presser foot lift bar	1	
2	22T7-001A ₂	Screw	1	
3	1KT4-005	Presser bar lift cam	1	
4		Oil seal	1	O-type ring 8×1.9 GB1235
5	22T7-004B ₁	Knee lifter lever(left)complete	1	
6	22T7-004B _{1a}	Lever(left)	1	
7	22T7-004B _{1b}	Thread releasing cam	1	
8	22T7-004B _{1c}	Screw	1	
9	22T7-004B ₂	Screw	2	
10	22T7-004B ₃	Knee lifter drawing bar	1	
11	22T7-005A	Screw	1	
12	35T3-305	Thread releasing lever	1	
13	22T7-007C ₁	Knee lifter lever(right)	1	
14	22T7-007C ₂	Spring	1	
15	4WF3-001	Connecting rod	1	
16	22T7-008	Pin	1	
17	22T7-005B	Screw	1	
18	34T3-305	Bushing for presser bar	1	
19	22T7-010	Presser bar	1	
20	7WF3-001	Guide for presser bar	1	
21	61-04-01/B308	Screw	1	
22	7WF4-009	Oil stop plate	1	
23	20T4-002	Sping	1	
24	34T3-301	Screw	1	
25	22T7-014E ₂	Nut	1	
26	22T7-015	Screw	1	
27		Washer	1	Washer GB848-85-4
28	7WF3-003(11WF3-001)	Presser foot	1	Part number shown in parentheses is for
29	7WF3-002	Thread guide	1	
30	22T2-004	Screw	3	
31	22T2-013	Screw	1	
32	1KT4-003	Finger guard	1	

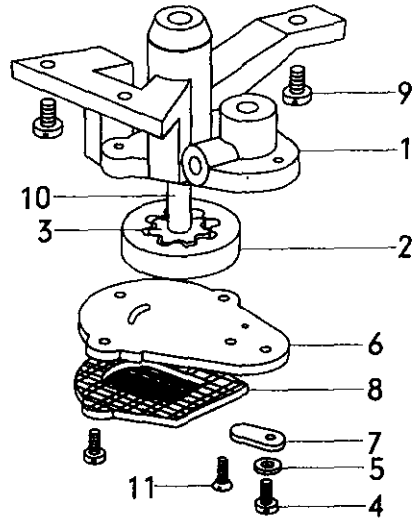
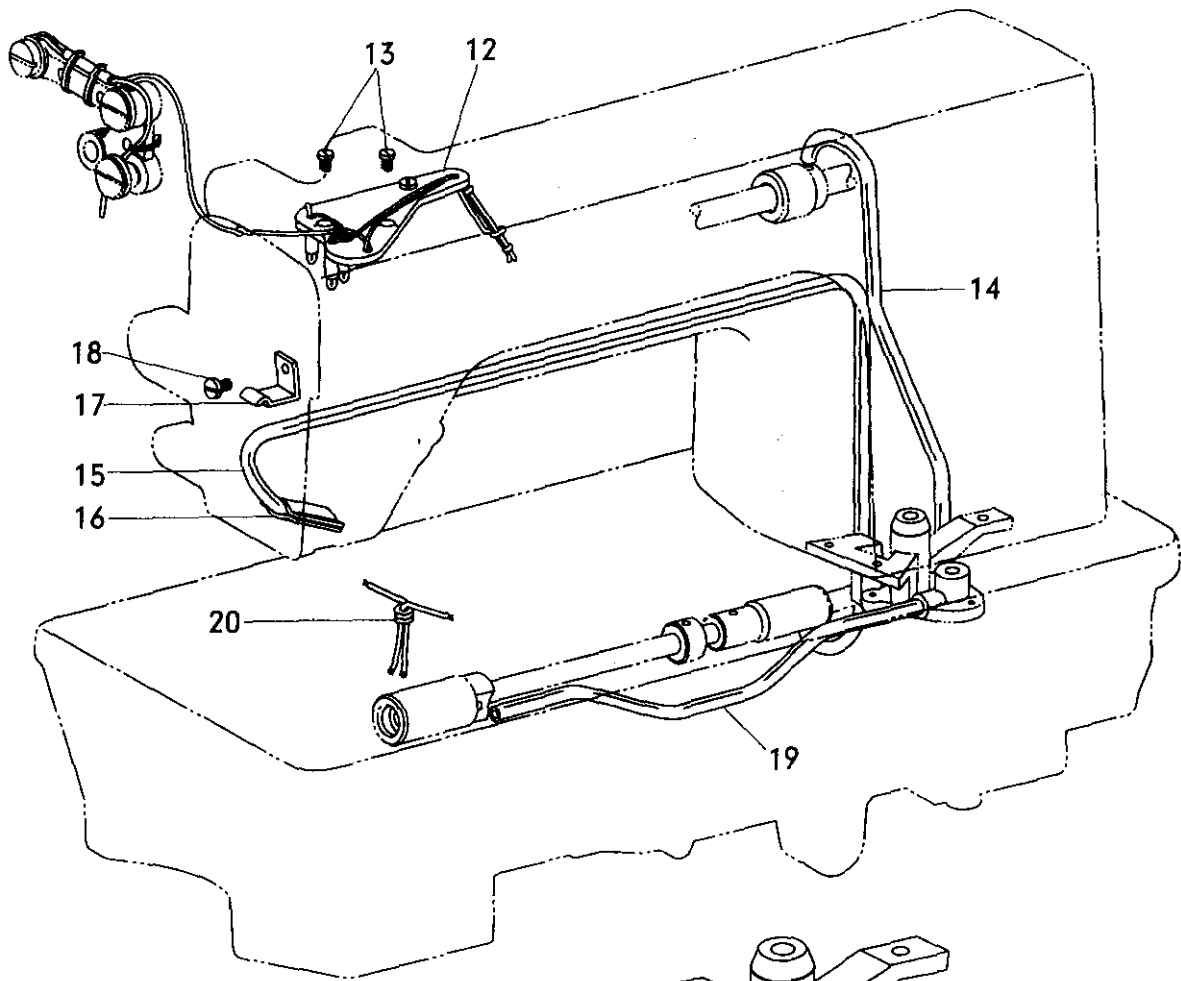
6: Upper Feed Parts



6: Upper Feed Parts

No.	Part number	Name	Qt.	Remark
1	7WF5-001	Nut	1	
2	7WF5-002	Shim	2	
3	7WF5-003	Nut	1	
4	35T5-504	Washer	1	Washer GB95-85-6
5	7WF5-004	Guide shaft	1	
6	7WF5-005	Needle of bearing	1	
7	7WF5-006	Walking foot	1	
8	7WF5-007	Screw	1	
9	7WF5-008	Screw	4	
10		Washer	2	Washer GB95-85-4
11	7WF5-009	Holder for walking foot bar	1	
12	7WF5-010	Link of walking foot	1	
13	7WF5-011	Screw	1	
14	7WF5-012	Fork lever	1	
15	7WF5-013	Pin	1	
16	7WF5-014A	Crank shaft complete	1	
17	7WF5-016	Front crank	1	
18		Pin	1	Pin GB117-86 A4×24
19	7WF5-017	Screw	4	
20	7WF5-018	Guide plate	1	
21	7WF5-019	Screw	2	
22	7WF5-020	Crank	1	
23		Pin	1	Pin GB117-86 A4×20
24		Nut	1	GB173-86-M6×0.75
25	7WF5-021	Screw	1	
26	7WF5-022	Nut	2	
27	7WF5-023	Bracket for adjusting screw	1	
28	7WF5-024	Link	1	
29	7WF5-025	Screw	2	
30	7WF5-026	Presser foot feed crank	1	
31	7WF5-027	Spring	1	
32	7WF5-028	Guide pin	1	
33	7WF5-029	Set plate	1	
34	7WF5-030	Walking foot lever	1	
35	22T6-008D ₃	Screw	2	
36	7WF5-031	Presser plate	1	
37	5WF4-002	Feed sheft middle crank	1	
38	J0.0.71	Screw	1	
39	36T5-008E ₅	Pin screw	1	
40	5WF4-001	Connecting pin	1	
41	7WF5-032	Eccentric cam	1	
42	7WF5-033	Screw	2	
43	7WF5-034A	Link complete	1	
44	7WF5-037	Screw	1	
45	7WF5-038	Link	1	
46	7WF5-039	Screw	2	
47	7WF5-040	Rear crank	1	
48	7WF5-041	Rear bushing	1	
49	7WF5-042	Screw	1	
50		Split ring	1	Retainer ring GB894-86-25
51	7WF5-049	Washer	1	
52	7WF5-043	Link adjusting crank	1	
53	7WF5-044	Presser foot lift shaft	1	
54	7WF5-045	Bushing	2	
55	J0.0.35	Screw	4	
56	22T3-002B ₁	Collar	1	
57	22T3-002B ₂	Screw	2	
58	7WF5-046	Front bushing	1	
59	7WF5-047	Presser foot swing shaft	1	
60	7WF5-048	Screw	1	

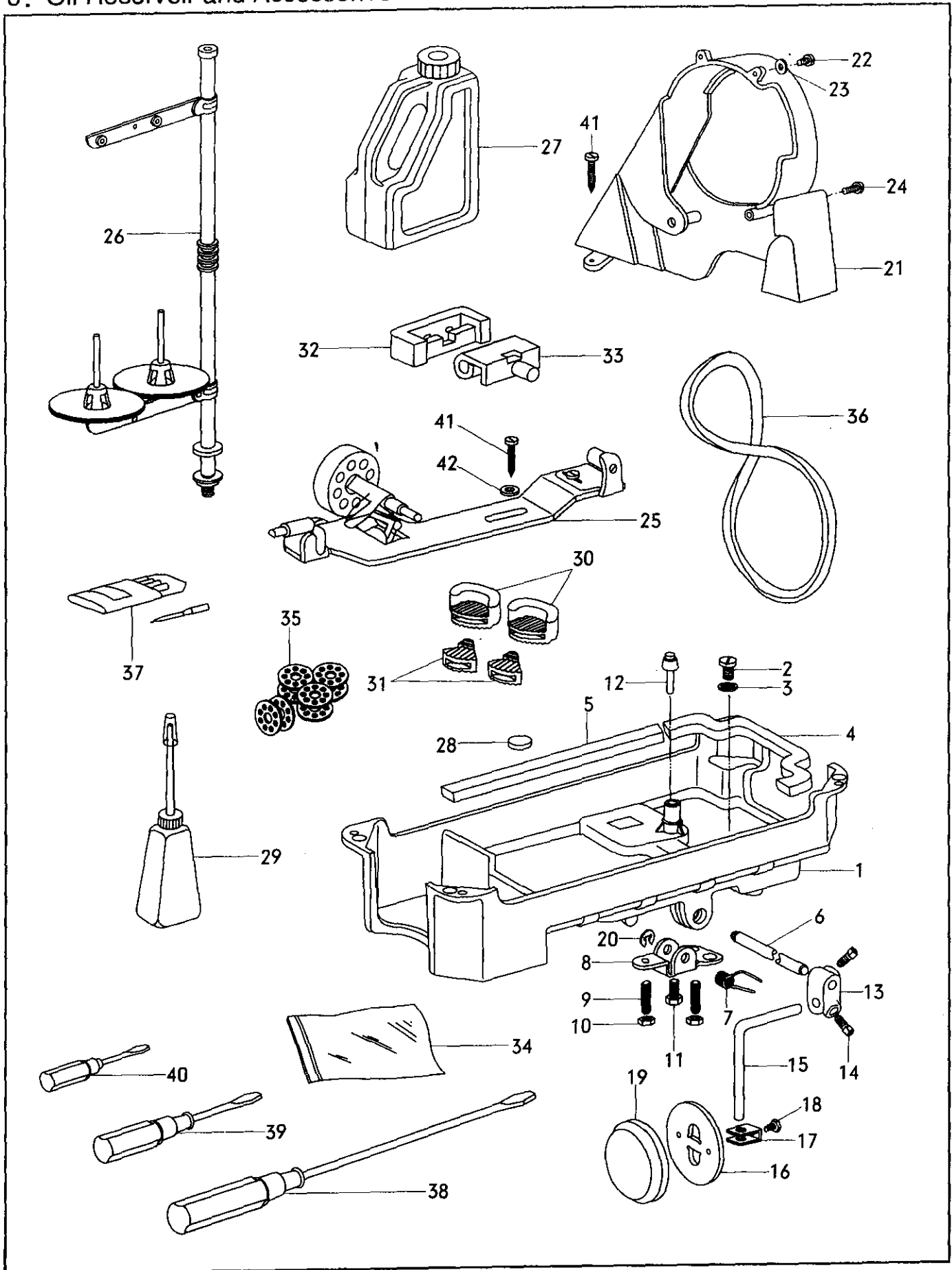
7: Oil Pump



7: Oil Pump

No.	Part number	Name	Qt.	Remark
1	15WF4-003	Oil pump	1	
2	15WF4-006	Big gear for oil pump	1	
3	15WF4-007	small gear for oil pump	1	
4		Screw	3	M3×10 GB67-85
5	22T8-005	Washer	1	
6	15WF4-004	Cover for oil pump	1	
7	22T8-007	Adjusting plate for oil pump	1	
8	22T8-008A	Filter complete	1	
9	22T8-009	Screw for oil pump	3	
10	15WF4-005	Shaft for oil pump	1	
11		Screw	2	M3×10GB68-85
12	22T8-001	Oil wick set plate complete	1	
13	22T8-012	Screw	2	
14	22T8-013	Oil pipe complete for upper shaft	1	
15	22T8-014	Oil return pipe	1	
16	22T8-015	Oil felt	1	
17	22T8-016	Oil return pipe clamp	1	
18	22T8-004	Screw	1	
19	22T8-011B	Oil pipe complete for lower shaft	1	

8: Oil Reservoir and Accessories



3: Oil Reservoir and Accessories

No.	Part number	Name	Qt.	Remark
1	4WF5-001	Oil reservoir	1	
2	22T9-001A ₂	Screw	1	
3	22T9-001A ₃	Washer	1	
4	22T9-001A ₄	Gasket(small)	1	
5	22T9-001A ₅	Gasket(big)	1	
6	22T9-001A ₆	Hinge pin	1	
7	22T9-001A ₇	Spring	1	
8	22T9-001A ₈	Knee lifter stop bracket	1	
9	22T9-001A ₉	Screw	2	
10	22T9-001A ₁₀	Nut	2	
11	22T3-007C ₂	Screw	1	
12	22T9-003B ₁	Knee lifter prop bar	1	
13	22T9-003B ₃	Connector	1	
14	22T9-003B ₄	Screw	2	
15	22T9-003B ₂	Bent rod	1	
16	22T9-003B ₅	Bell	1	
17	22T9-003B ₆	Bell bracket	1	
18	22T9-003B ₇	Screw	1	
19	22T9-003B ₈	Pat	1	
20		Split stop ring	1	Stop ring 9 GB896-76
21		Belt guard complete	1	
22	1KT6-001	Screw(small)	2	M4×8 GB67-85
23		Washer	2	GB848-85-4
24		Screw(big)	2	M5×12GB67-85
25	S14420020	Thread winder complete	1	
26	GJX-2	Spool stand complete	1	
27	22T9-017	Oil tank	1	
28	22T9-013	Magnet	1	
29	33TF-011	Oil pot	1	
30	22T9-009	Cushion(big)	2	
31	22T9-010	Cushion(small)	2	
32	33T1-004	Rubber coat	2	
33	22T9-007F ₂	Hinge	2	
34	33TF-010	Parts bag	1	
35	33T1-027	Bobbin	5	
36		V-type belt	1	O-type 1041
37	33TF-015	Needle	1big	DP×17 23#(C...)
38	33TF-012	Screwdriver(big)	1	
39	33TF-013	Screwdriver(middle)	1	
40	33TF-014	Screwdriver(small)	1	
41	33TF-017	Wood screw	4	GB5282-85 ST4.8×19
42	33TF-018	Washer	2	GB848-85-6

Consolidated Sewing Machine Corp.

website: www.consew.com

MAIN office

131 W. 25th Street
New York, NY 10001
Tel: 212-741-7788
Fax: 212-741-7787
e-mail: consew@att.net

Miami, FL

4013 N.W. 79TH Avenue
Miami, FL 33166
Tel: 305-471-0200
Fax: 305-471-0243
e-mail: miamisales@consew.com

Los Angeles, CA

2320 South Hill Street
Los Angeles, CA 90007
Tel: 213-745-8844
Fax: 213-745-8855
e-mail: lasales@consew.com

Osaka, Japan Office

PAUL NISHIMURA & CO., LTD

Daikyo Building (1st floor)
7-14-102 Nishinakajima, 5-chome
Yodogawa-ku, Osaka 532-0011 Japan
Tel: 81-6-6304-0146
Fax: 81-2-6304-0179

